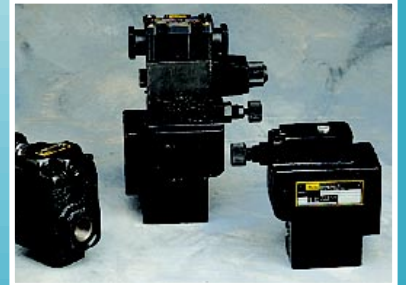


Catalog 2502/USA



Wherever in the world machinery is designed, manufactured, or used, Parker is there to meet your hydraulic application requirements – with complete hydraulic component selection, worldwide availability, and technical assistance.

This catalog contains the information you need to order hydraulic industrial valves. Arranged by product group, it contains complete specifications, dimensions, and ordering information on the complete line of

Parker hydraulic industrial valves, including technical data and reference material for designers, builders, and users of motion control machinery. No more shuffling through dozens of separate catalogs from dozens of separate suppliers.

And when you're ready to order, call your local Parker Hydraulic distributor for fast delivery and service. Or call your Parker Hydraulic Sales Office (see listing at the back of this catalog).

Contents	Page No./Section
General Information	IV - IX
Valve Series Index	X - XI
Valve Function Index	XII - XIV
Catalog Index by Sections	XV
Directional Control Valves	Section A
Manapak Sandwich Valves	Section B
Cartpak Sandwich Valves	Section C
Subplates and Manifolds	Section D
Pressure Switches	Section E
Pressure Control Valves	Section F
Colorflow Flow, Check & Needle Valves	Section G
ParTrol Flow, Check & Needle Valves	Section H
Ball Valves	Section J
Republic Specialty Products	Section K
Manatrol Valves	Section L
Involvement Training	

In line with our policy of continuing product improvement, specifications and information contained in this catalog are subject to change.

Hydraulic Components

Parker offers the most complete range of hydraulic components and systems of any manufacturer in the world. All of our products share a common heritage of advanced technology for your applications. We offer everything for your hydraulic system from simple to complex motion control.

Cylinders

Parker manufactures the industry's broadest range of hydraulic and pneumatic cylinders with the largest selection of sizes, bores, strokes, mountings, options and accessories. NFPA and ISO designs are available. From rugged industrial applications to high-technology uses such as machine tool, motion control and sophisticated servo controlled simulators, there is a Parker cylinder that is just right for your needs. And every one offers quality features and design innovations, a combination that provides performance and reliability you can count on with minimum maintenance.

Catalog 0106

Pumps

Parker's broad line of energy-efficient hydraulic pumps includes fixed or variable displacement models in piston, vane and gear pumps. Designed to handle a wide range of applications, Parker pumps are available with a full complement of electronic and computer controls. Like all Parker products, these pumps are manufactured with the finest materials under strict quality control. The result is a pump that delivers high efficiency and low maintenance under the toughest operating conditions.

Catalog 1550

Filtration

Parker filtration products are designed to maximize the reliability of your hydraulic systems and components with positive protection against fluid contaminants. Our comprehensive line of pressure and return line filters enhances machine life, reduces maintenance and lowers costs. High, medium and low pressure filters are offered, as well as portable filter carts and replacement elements.

Catalog 2300-9

Hydraulic Valves and Controls

We make hydraulic control valves for virtually every application from simple on/off functions to precise motion control. These include threaded cartridge valves, integrated hydraulic circuit blocks, bankable control valves, mobile motion control valves, motion controllers, directional valves, subplate mounted directional and proportional valves.

***Catalog 2400,
Catalog 2550***



for Your System

Motors

Our full line of high and low speed motors provide power ranging up to 15,000 inch-pounds of torque. A complete range of sizes is offered in gear, gerotor and piston style operating configurations. Fixed and variable placement motors are available. Parker hydraulic motors deliver excellent performance with high efficiency, true wear compensation and longer service life.

Catalog 1550

Rotary Actuators

These rotary actuators efficiently convert hydraulic power to rotary motion for a wide variety of uses. Rack and pinion style actuators are the ideal means of providing uniform torque in both directions through a wide range of sizes and rotations. Advanced design provides the maximum amount of output torque from the smallest possible package, while supporting both radial and thrust loads. Users get the benefits of outstanding holding capability with no drift.

Catalog 1800

Accumulators

Parker is the industry's most complete source for hydraulic accumulators and related products. We offer a complete range of piston, bladder and diaphragm type accumulators, as well as gas bottles, ParVent reservoir isolators and other accessories. These reliable components improve hydraulic system efficiency by maintaining pressure, supplementing pump flow and absorbing system shocks. Sturdy construction provides years of efficient, reliable service.

Catalog 1630

Power Units

Featuring a low profile, space-saving design, Parker vertical style power units include a submerged pump for quieter operation, precision pump mounting adapters for longer pump life, a suction strainer to protect the pump from contamination and a glycerine-filled gauge with shut-off for improved diagnostics. Custom power units can be built in a wide variety of sizes and configurations to meet your needs. Low noise models are also available. A line of overhead style power units is also available.

Catalog 1550



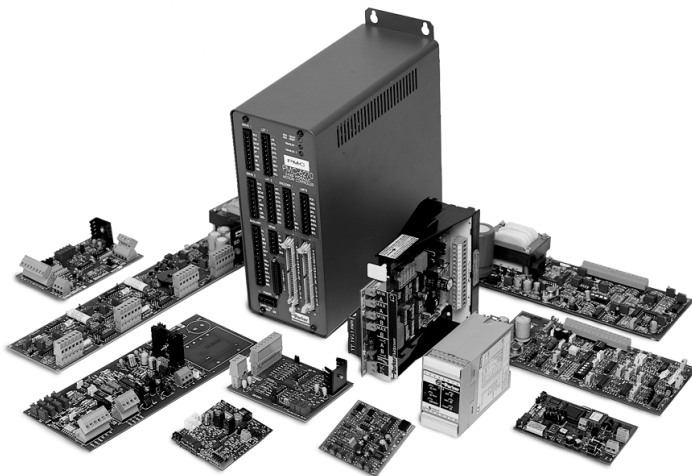
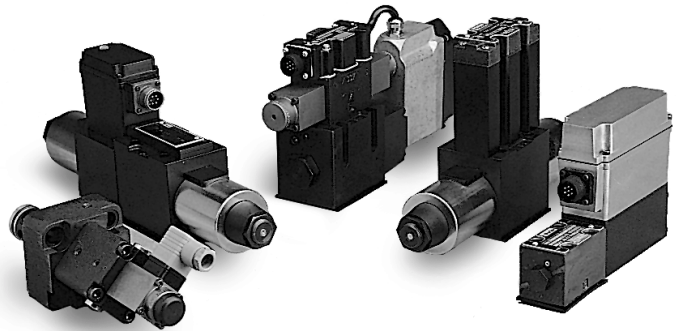
Parker also offers a complete line of mobile hydraulic components and systems. For more information, please request Parker's **Mobile Hydraulic Product Guide – Bulletin 0111** and **Catalog 2400/USA**.

Hydraulic Valves

Proportional Control Valves

- Proportional directional, throttle and pressure valves available
- Flow ranges up to 5678 LPM (2-1500 GPM)
- Maximum operating pressures up to 345 Bar (5000 PSI)
- Subplate and in-line mounting styles offered
- Throttle and pressure styles available in DIN 24342 cartridge inserts
- On-board and remote electronics available
- Zero lap servo spools offered for closed loop applications
- Explosion proof models available
- Valves meet CSA, FM and Cenelec standards

Catalog 2550



Motion Controllers/Electronics

- Digital motion controllers for a variety of applications
- Servo amplifiers offer full PID control, dual loops
- Valve drivers provide ramping, setpoints, deadband compensation
- Feedback amplifiers provide advantages of closed loop control
- Power supplies for a variety of valves applications
- Joystick controllers in single and dual axis models

Catalog 2550

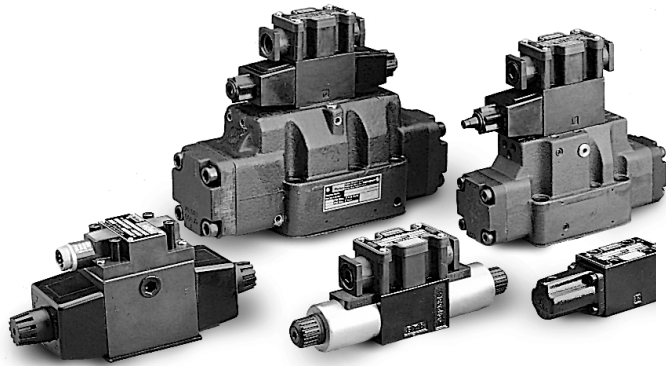
Electrohydraulic Servo Valves

- Robust, reliable, industrial strength valves for motion control applications
- Flow ranges up to 340 LPM (90 GPM)
- Maximum operating pressures up to 210 Bar (3000 PSI)
- Explosion proof models available
- Intrinsically safe models available
- Valves meet CSA, FM and Cenelec standards
- Low flow models available to 1.9 LPM (0.5 GPM)

Catalog 2550



Hydraulic Valves



Directional Control Valves

- Five sizes from NFPA D03 to D10
- Subplate mounting
- Flows up to 2000 LPM (525GPM)
- Maximum operating pressures up to 345 Bar (0-5000 PSI)
- Variety of actuator styles
- Wide choice of voltages and connector styles
- Soft shift models eliminate or reduce hydraulic system pressure shock
- Explosion proof models available

Catalog 2531

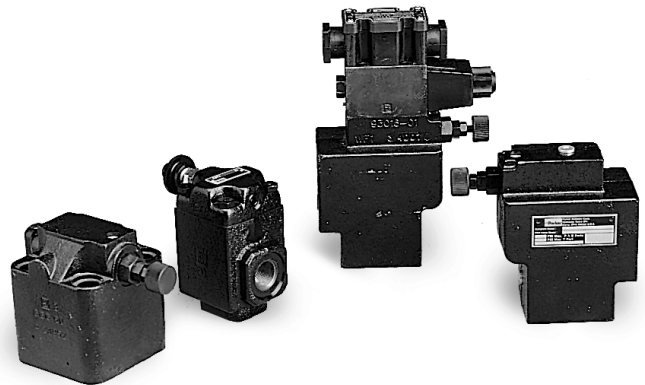
Sandwich Style Valves



Manapak

- Mounting — NFPA D03-D08 sandwich style
- Check valves
- Flow controls
- Pressure reducing
- Pressure relief
- Maximum operating pressures up to 345 Bar (5000 PSI)

Catalog 2537



Pressure Control Valves

- Available functions include pressure reducing, relief, counterbalance, sequence and unloading
- In-line or manifold mounted
- Sizes 3/4" through 1-1/4" (19mm–32mm)
- Flows up to 342 LPM (90 GPM)
- Maximum operating pressures up to 345 Bar (5000 PSI)

Catalog 2502

Cartpak

- Mounting — NFPA D03-D08 sandwich style
- Relief functions
- Pressure reducing/relieving
- Load check
- Back pressure check
- Needle
- Flow control
- Crossover functions
- Maximum operating pressures up to 245 Bar (3500 PSI)
- Directional Control Valves - Spool and Poppet Types

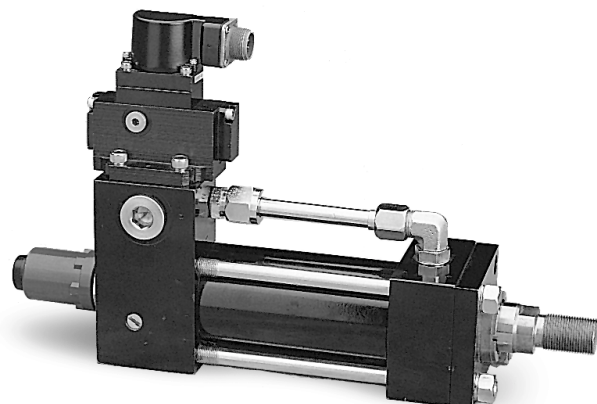
Catalog 3110

Hydraulic Valves

Republic/Manatrol Valves & Controls

- Needle valves
- Check valves
- Plug valves
- Lo-Torque manual directional control valves
- Exectrol high performance directional control valves
- Pressure control valves
- Hand pumps
- Adjustable velocity fuses
- Volume control valves
- Two-way valves

Catalog 3000



Parker Industrial Drives

Linear Servo Actuators:

- Fully assembled and tested units
- Bore sizes from 2"-10" (51-254mm) with LDT feedback
- Strokes up to 180" (4572mm)
- Nominal pressures up to 207 Bar (3000 PSI)
- Mounting — subplate NFPA D03, D05, or servo

Servo Motors:

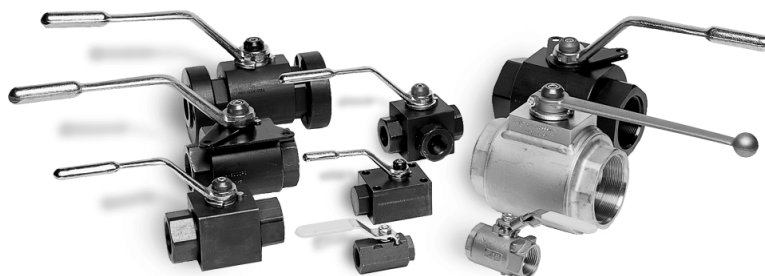
- Displacement — 3.6 to 67.3 in./rev.
- Nominal pressures up to 207 Bar (3000 PSI)
- Torque up to 15,000 lb-in

Catalog 2550

Ball Valves

- Designed for hydraulic, pneumatic and other media
- Models operating at under 600 PSI (41 Bar) up to high pressure valves handling 14,400 PSI (993 Bar)
- Two-way, three-way and four-way styles available
- Broad range of materials includes brass, stainless steel and carbon steel
- Assortment of port configurations including threaded, manifold mounted, SAE split flange and a unique 4-bolt rotating SAE flange design

Catalog 1400



Hydraulic Valves



Colorflow Control Valves

- Inline mounted flow, check, needle, gauge isolator and snubber valves
- Pressure compensated or non-compensated flow controls
- Sizes 1/8" through 2"
- Choice of NPTF, SAE, BSPP and ISO 6149 metric ports
- Maximum operating pressures up to 350 Bar (5000 PSI)
- Flows up to 568 LPM (150 GPM)
- Available in brass or steel

Catalog 3310

Parker Threaded Cartridge Valves

- Industry accepted sizes — 4, 7, 8, 9, 10, 12, 16 and 20
- Flows up to 378 LPM (100 GPM)
- Maximum operating pressures up to 345 Bar (5000 PSI)
- Directional controls
- Proportional flow and pressure reducing controls
- Complete selection of pressure controls
- Pressure compensated and non-compensated flow controls
- Variety of direct and pilot operated checks
- Cartridge only or single and multi-function inline bodies

Catalog 3105



DIN 24342 Insert Cartridge Valves

- Available in sizes — 16mm, 25mm, 32mm, 40mm, 50mm, 63mm, 80mm, 100mm
- Flows up to 17,000 LPM (4500 GPM)
- Maximum operating pressures up to 350 Bar (5000 PSI)
- Proportional throttle, relief and pressure controls
- Complete selection of pressure controls
- Variety of direct and pilot operated checks
- Directional controls to 7500 LPM (2000 GPM)

Catalog 3201



Series	Page	Series	Page		
133-149	Republic Needle Valves	K4	742	Republic Plug Valves	K31
151B	Republic Needle Valves	K8	743	Republic Plug Valves	K31
154	Republic Needle Valves	K10	744	Republic Plug Valves	K31
21100	Republic Exectrol DCV	K60	7PC	ParTrol Check (Prestolok®)	H12
21200	Republic Exectrol DCV	K62	7PF	ParTrol Flow Control (Prestolok®)	H4
21353	Dump and Shutoff Valve	K69	7PN	ParTrol Needle w/Prestolok®	H8
21356	Dump and Shutoff Valve	K69	8-3076	Republic Safety Lockout	K58
21400	Direct-Acting Solenoid Valves	K70	8000C	Republic Lo-Torq DCV	K38
23100	Republic Exectrol DCV	K64	8000E	Republic Lo-Torq DCV	K34
23200	Republic Exectrol DCV	K64	8100C	Republic Lo-Torq DCV	K38
23300	Republic Exectrol DCV	K64	8100E	Republic Lo-Torq DCV	K36
25100	Republic Exectrol DCV	K66	8200	Republic Lo-Torq DCV	K40
25200	Republic Exectrol DCV	K66	830M	Republic Lo-Torq Actuator	K55
27200	Republic Exectrol DCV	K66	832P	Republic Lo-Torq Actuator	K56
27300	Republic Exectrol DCV	K66	833P	Republic Lo-Torq Actuator	K56
300	Plug Valves	K28	8400E	Republic Lo-Torq DCV	K42
404	Check Valves	K15	8500	Republic Lo-Torq DCV	K44
409	Check Valves	K16	8700	Republic Lo-Torq DCV	K48
4091	Strainer	K102	8900	Republic Lo-Torq DCV	K50
4121	Check Valves	K27	910	Hand Operated Pumps	K104
413	Check Valves	K17	910N	Hand Operated Pumps	K106
419	Check Valves	K19	910R	Hand Operated Pumps	K108
429	Check Valves	K26	913	Hand Operated Pumps	K110
440	Check Valves	K20	914	Hand Operated Pumps	K112
450	Check Valves	K20	915	Hand Operated Pumps	K114
480	Check Valves	K22	916	Hand Operated Pumps	K114
490	Check Valves	K22	961	Dump and Shut-Off Valves	K78
500	Ball Valves	J54	962	Dump and Shut-Off Valves	K78
500CS	Ball Valves	J64	963	Dump and Shut-Off Valves	K78
500SS	Ball Valves	J68	964	Dump and Shut-Off Valves	K81
580	Republic Check Valves	K24	965	Dump and Shut-Off Valves	K78
590	Ball Valves	J73	AVF	Republic Check Valve	K13
590	Republic Check Valves	K24	B	Counterbalance Valves	F39
6011	Pressure Snubber	K100	BV3D	Ball Valves	J28
620 - 649x	Republic Relief Valves	K82	BV3H	Ball Valves	J33
6611	Flow Divider/Combiner	K12	BV4H	Ball Valves	J33
665	Republic Relief Valves	K84	BVAH	Ball Valves	J12
680	Gage Cutout	K93	BVAL	Ball Valves	J44
683	Gage Adapter	K94	BVAM	Ball Valves	J24
684	Vent Valves	K86	BVHH	Ball Valves	J20
689B	Push Valves	K96	BVHP	Ball Valves	J4
690	Pressure Snubber	K95	BVMM	Ball Valves	J38
691	Gage Cutout	K98	C	Colorflow Check Valves	G29
694	Pressure Snubber	K95	C	Partrol Check Valves	H10
697	Pressure Snubber	K95	CM	Manapak Check Valves	B4
699	Safety Lockout Valves	K99	CP	Manatrol Check Valves	L41
6C	Colorflow Check (Metric)	G31	CPOM	Manapak Check Valves	B12
6F	Colorflow Flow Control (Metric)	G7	CS	Manatrol Check Valves	L34
6MV	Colorflow Metering (Metric)	G18	CV102P	Cartpak Load Holding Valves	C22
6N	Colorflow Needle (Metric)	G12	CVH103P	Cartpak Load Holding Valves	C22
700	Plug Valves	K28	CVH104P	Cartpak Load Holding Valves	C22

Series	Page	Series	Page
D	Deceleration Valves	L62	
D1VA	Air Pilot Operated DCV (D03)	A25	
D1VC	Cam Operated DCV (D03)	A29	
D1VD	Cam Operated DCV (D03)	A29	
D1VG	Cam Lever Operated DCV (D03)	A29	
D1VL	Lever Operated DCV (D03)	A23	
D1VP	Oil Pilot Operated DCV (D03)	A25	
D1VW	Solenoid Operated DCV (D03)	A9	
D1VW 8-Watt	8-Watt Coil DCV (D03)	A32	
D3A	Air Operated DCV (D05)	A70	
D3C	Cam Operated DCV (D05)	A73	
D3D	Cam Operated DCV (D05)	A73	
D3DW	Solenoid Operated DCV (D05)	A63	
D3L	Lever Operated DCV (D05)	A68	
D3P	Oil Pilot Operated DCV (D05)	A91	
D3W	Solenoid Operated DCV (D05)	A52	
D31*A	Air Pilot Operated DCV (D05)	A87	
D31*L	Lever Operated DCV (D05)	A89	
D31*W	Solenoid Operated DCV (D05)	A76	
D6P	Pilot Operated DCV (D08)	A111	
D61VA	Air Pilot Operated DCV (D08)	A107	
D61VL	Lever Operated DCV (D08)	A109	
D61VW	Pilot Op., Sol. Controlled DCV	A100	
D8P	Pilot Operated DCV (D08)	A130	
D81VA	Air Pilot Operated DCV (D08)	A126	
D81VL	Lever Operated DCV (D08)	A128	
D81VW	Pilot Op., Sol. Controlled DCV	A119	
D10P	Pilot Operated (D10)	A150	
D101VA	Air Pilot Operated (D10)	A146	
D101VL	Lever Operated (D10)	A148	
D101VW	Pilot Op., Sol. Controlled DCV	A138	
DF102*	Cartpak, Prop. Flow Control	C41	
DSH101*	Cartpak, 2-Way DCV (Poppet)	C25	
DSH102*	Cartpak, 2-Way DCV (Spool)	C29	
DSH103	Cartpak, 3-Way DCV	C34	
DSL103	Cartpak, 3-Way DCV	C34	
ECR	Manatrol Check Valves	L39	
ERV101N	Cartpak, Prop. Pressure Relief	C37	
F	Colorflow Flow Control	G4	
FG3PKC	Manatrol Flow Control	L20	
FL101	Cartpak P.C. Flow Control	C18	
FM	Manapak Flow Control	B17	
FR101	Cartpak Flow Regulators	C18	
FS	Manatrol Flow Controls	L2	
FV101	Cartpak Flow Controls	C15	
FV102	Cartpak Flow Controls	C15	
GF	Colorflow Pressure Snubber	G27	
GT	Colorflow Gage Isolator	G28	
GTS	Manatrol Gage Isolator	L79	
HS	Serial Bus System	A158	
ICP	Manatrol Inline Check Valves	L47	
J416A	Republic Mini Check Valves	K18	
J417A	Republic Mini Check Valves	K18	
K2	Cartpak Bodies	C46	
MS24423	Republic Mini Check Valves	K18	
MS25493	Republic Mini Check Valves	K18	
MSGI	Multi-Station Gage Isolators	J76	
MV	Colorflow Metering Valves	G14	
MVI	Colorflow Cartridge Metering	L30	
N	Colorflow Needle Valves	G9	
NS	Manatrol Needle Valves	L25	
NVH101	Cartpak Needle Valves	C13	
P6701	Republic Relief Valve	K92	
PC*K	Colorflow (Compensated)	G20	
PC*M	Colorflow (Compensated)	G24	
PC*MS	Manatrol Flow Control	L7	
PF	ParTrol Flow Control	H2	
PN	ParTrol Needle Valves	H6	
PPCCK	Pressure Comp. Flow Control	H15	
PPCCM	Pressure Comp. Flow Control	H16	
PR	Pressure Reducing (3000 PSI)	F31	
PR	Pressure Reducing (5000 PSI)	F73	
PR	Manatrol Pressure Reducing	L59	
PR103	Cartpak Pressure Reducing	C8	
PR6701	Republic Pressure Reducing	K90	
PRH101	Cartpak Pressure Reducing	C8	
PRH102	Cartpak Pressure Reducing	C8	
PRDM	Manapak D.O. Pressure Reducing	B23	
PRM	Manapak Pressure Reducing	B28	
PSB	Electrohyd. Pressure Switch	E2	
R	Relief Valves (3000 PSI)	F5	
R	Relief Valves (5000 PSI)	F73	
R2P	Relief Valves	F2	
R6701	Republic Relief Valves	K88	
RA	Manatrol Relief Valves	L55	
RAH101	Cartpak Relief Valves	C5	
RCP	Manatrol Inline Relief Valves	L53	
RD102	Cartpak Relief Valves	C5	
RDH103	Cartpak Relief Valves	C5	
RM	Manapak Relief Valves	B35	
RP	Manatrol Relief Valves	L49	
RS	Relief Valves	F73	
S	Sequence Valves (3000 PSI)	F47	
S	Sequence Valves (5000 PSI)	F73	
S133 to S149	Republic Needle Valves	K4	
SL-8	Republic Lo-Torq DCV	K46	
SVH101	Cartpak Sequence Valves	C11	
T133 to T149	Republic Needle Valves	K6	
TPC	Manatrol Volume Control	L12	
ULR	Unloading Valves	F55	
UR	Unloading Relief Valves	F63	
VC*	Colorflow Check Valves	G33	

Function/Series	Page
Ball Valves	
500 2-Way, 41 Bar (600 PSI)	J54
500CS 2-Way, 138 Bar (2000 PSI)	J64
500SS 2-Way, 138 Bar (2000 PSI)	J68
590 2-Way, 17 Bar (250 PSI)	J73
BV3D 3-Way, 207 Bar (3000 PSI)	J28
BV3H 3-Way, 414 Bar (6000 PSI)	J33
BV4H 4-Way, 414 Bar (6000 PSI)	J33
BVAH 2-Way, 414 Bar (6000 PSI)	J12
BVAL 2-Way, 28 Bar (400 PSI)	J44
BVAM 2-Way, 138 Bar (2000 PSI)	J24
BVHH 2-Way, 993 Bar (14000 PSI)	J20
BVHP 2-Way, 414 Bar (6000 PSI)	J4
BVMM 2&3-Way, 414 Bar (6000 PSI)	J38
Cartpak Valve Bodies	
K2	C46
Check Valves	
404 Ball Inline	K15
409 Cartridge	K16
4121 Pilot Operated	K27
413 Double Pilot Operated	K17
419 Shuttle	K19
429 10,000 PSI	K26
440 & 450 High Pressure	K20
480 & 490 Free Flow	K22
580 & 590 Swing	K24
6C Colorflow (Metric Ports)	G31
7PC ParTrol (Prestolok® Ports)	H12
AVF Adjustable Velocity Fuse	K13
C Colorflow	G29
C ParTrol	H10
CM Manapak	B4
CP Manatrol Pilot Operated	L41
CPOM Manapak Double Pilot Operated	B12
CS Manatrol Subplate Mounted	L34
ECR Manatrol Adjustable	L39
ICP Inline Pilot Operated	L47
J416A Mini-Check	K18
J417A Mini-Check	K18
MS24423 Mini-Check	K18
MS25493 Mini-Check	K18
VC* Colorflow (Compensated)	G33
Counterbalance Valves	
B	F39
Deceleration Valves	
D	L62
Directional Control Valves	
D1VA Air Pilot Operated (D03)	A25
D1VC Cam Operated (D03)	A29

Function/Series	Page
D1VD Cam Operated (D03)	A29
D1VG Cam Lever Operated (D03)	A29
D1VL Lever Operated (D03)	A23
D1VP Oil Pilot Operated (D03)	A25
D1VW Solenoid Operated (D03)	A9
D3A Air Operated (D05)	A70
D3C Cam Operated (D05)	A73
D3D Cam Operated (D05)	A73
D3DW Solenoid Operated (D05)	A63
D3P Oil Pilot Operated (D05)	A91
D3W Solenoid Operated (D05)	A52
D31*A Air Pilot Operated (D05)	A87
D31*L Lever Operated (D05)	A89
D31*W Solenoid Operated (D05)	A76
D6P Pilot Operated (D08)	A111
D61VA Air Pilot Operated (D08)	A107
D61VL Lever Operated (D08)	A109
D61VW Pilot Op., Sol. Controlled (D08)	A100
D8P Pilot Operated (D08)	A130
D81VA Air Pilot Operated (D08)	A126
D81VL Lever Operated (D08)	A128
D81VW Pilot Op., Sol. Controlled (D08)	A119
D10P Pilot Operated (D10)	A150
D101VA Air Pilot Operated (D10)	A146
D101VL Lever Operated (D10)	A148
D101VW Pilot Op., Sol. Controlled (D10)	A138
DSH101* Cartpak, 2-Way (Poppet)	C25
DSH102* Cartpak, 2-Way (Spool)	C29
DS*103 Cartpak, 3-Way (Spool)	C34
Directional Control Valves – Republic Exectrol	
21100 Solenoid Operated, 3 GPM	K60
21200 Solenoid Operated, 10 GPM	K62
21400 Direct Acting Solenoid	K70
23100 Pilot Operated, 25 GPM	K64
23200 Pilot Operated, 45 GPM	K64
23300 Pilot Operated, 75 GPM	K64
25100 Sol. Ctl. Pilot Op., 25 GPM	K66
25200 Sol. Ctl. Pilot Op., 45 GPM	K66
27200 Sol. Ctl. Pilot Op., 45 GPM	K66
27300 Sol. Ctl. Pilot Op., 75 GPM	K66
Directional Control Valves – Republic Lo-Torq	
8-3076 Safety Lockout Kits	K58
8000C High Flow	K38
8000E 3000 PSI	K34
8100C High Flow	K38
8100E 6000 PSI	H36
8200 Heavy Duty	K40
8400E Mini	K42
8500 3000 PSI	K44
8700 250 PSI	K48

Function/Series	Page	Function/Series	Page
8900	10000 PSI	K50	
SL-8		K46	
Actuators			
830M	2-Position	K55	
832P	2-Position, Heavy Duty	K56	
833P	3-Position, Heavy Duty	K56	
Dump and Shutoff Valves			
21353		K69	
21356		K69	
961	Solenoid Controlled	K78	
962	Solenoid Controlled	K78	
963	Solenoid Controlled	K78	
964	Cam Operated	K81	
965	Solenoid Controlled	K78	
Flow Control Valves			
6F	Colorflow (Metric Ports)	G7	
7PF	ParTrol (Prestolok® Ports)	H4	
F	Colorflow Inline	G4	
FG3PKC	Temp/Pressure Compensated	L20	
FM	Double Manapak	B17	
FS	Manatrol	L2	
FV101	Cartpak	C15	
FV102	Cartpak	C15	
PC*K	Colorflow (Compensated), Fixed	G20	
PC*M	Colorflow (Compensated), Adj.	G24	
PC*MS	Pressure Compensated	L7	
PF	ParTrol	H2	
PPCCK	Pressure Compensated, Fixed	H15	
PPCCM	Pressure Compensated, Adj.	H16	
TPC	Temp./Pressure Compensated	L12	
Flow Divider/Combiner			
6611		K12	
Flow Regulators			
FR101	Cartpak Press. Compensated	C18	
Gage Adapter			
683		K94	
Gage Cutout			
680	Adjustable	K93	
691	Adjustable	K98	
Gage Isolator Valves			
6011	Pressure Snubber	K100	
690	Pressure Snubber	K95	
694	Pressure Snubber	K95	
697	Pressure Snubber	K95	
GF	Colorflow (Pressure Snubber)	G27	
GT	Colorflow (3-Way)	G28	
GTS	Manatrol (3-Way)	L79	
Load Holding Valves			
CV102P	Cartpak Soft Seat	C22	
CVH103P	Cartpak Low ΔP	C22	
CVH104P	Cartpak	C22	
Lockout Valves			
699		K99	
Metering Valves			
6MV	Colorflow (Metric Ports)	G18	
MV	Colorflow	G14	
MVI	Manatrol (Cartridge Type)	L30	
Needle Valves			
133-149	Instrumentation	K4	
151B		K8	
154	High Pressure	K10	
6N	Colorflow (Metric Ports)	G12	
7PN	ParTrol (Prestolok® Ports)	H8	
N	Colorflow Inline	G9	
NS	Manatrol, Subplate Mounted	L25	
NVH101	Cartpak	C13	
PN	ParTrol	H6	
S133-S149	Instrumentation	K4	
T133-T149	Instrumentation	K6	
Plug Valves			
300	Tapered, Teflon Plug	K28	
700	Tapered, Metal Plug	K28	
742	Cylindrical, 2-Way	K31	
743	Cylindrical, 3-Way	K31	
744	Cylindrical, 4-Way	K31	
Pressure Control Valves			
See Relief or Pressure Reducing Valves			
Pressure Reducing Valves			
PR	3000 PSI	F31	
PR	5000 PSI	F73	
PR	Manatrol	L59	
PRH101	Cartpak	C8	
PRH102	Cartpak	C8	
PR6701	Republic Pilot Operated	K90	
PRDM	Manapak Direct Operated	B23	
PRM	Manapak	B28	
Pressure Snubber Valves			
See Gage Isolator Valves			
Pressure Switch			
PSB	Electrohydraulic	E2	
Pumps, Hand Operated			
910	1500 PSI	K104	
910N	1500 PSI Needle	K106	
910R	1500 PSI Relief	K108	

Function/Series	Page
913 2-Stage, 5000 PSI	K110
914 1500 PSI	K112
915 3000 PSI	K114
916 3000 PSI	K114
Push Valves	
689B	K96
Relief Valves	
620 - 649x Direct Acting	K82
665 Direct Acting	K84
P6701 Direct Acting	K92
R 3000 PSI	F5
R 5000 PSI	F73
R2P	F2
R6701 Pilot Operated	K88
RA Manatrol Dir. Operated	L55
RAH101 Cartpak Pilot Operated	C5
RCP Manatrol Dir. Oper. Inline	L53
RD102 Cartpak Direct Acting	C5
RDH103 Cartpak	C5
RM Manapak	B35
RP Manatrol Pilot Operated	L49
RS Solenoid Controlled	F73
Sequence Valves	
0204*-23xx Republic	K72
S 3000 PSI	F47
S 5000 PSI	F73
SVH101 Cartpak	C11
Strainer	
4091	K102
Unloading Valves	
ULR	F55
UR	F63
Vent Valves	
684	K86

Directional Control Valves	A
Manapak Sandwich Valves	B
Cartpak Sandwich Valves	C
Subplates and Manifolds	D
Pressure Switches	E
Pressure Control Valves	F
Colorflow Flow, Check & Needle Valves	G
ParTrol Flow, Check & Needle Valves	H
Ball Valves	J
Republic Specialty Products	K
Manatrol Valves	L
Involvement Training	M