



WEBTEC





WEBTEC PRODUCTS LIMITED

Hydraulic Cylinders and Quick Release Couplings

Hydraulic Cylinders and Quick Release Couplings

**Quality Hydraulic Components
from the Webtec Range**

CONTENTS

	DESCRIPTION	PAGE No.
	Series SA & DA Single and Double Acting Hydraulic Cylinders	1
	Toggle Lock Cylinder	3
	Milwaukee Cylinder a unit of apw Tools and Suppliers	6
	Standard Series Quick Release Hose Couplings	7

Series SA & DA

Single & Double Acting Hydraulic Cylinders

THE SA SERIES SINGLE ACTING HYDRAULIC CYLINDER is operated by introducing oil under pressure to one side of the piston to extend the cylinder whilst the other side of the piston is vented to atmosphere via a breathing orifice in the body of the cylinder. The return stroke is accomplished by external mechanical means.

THE DA SERIES DOUBLE ACTING HYDRAULIC CYLINDER operates to extend or retract depending on which side of the piston is subject to oil pressure. Oil displaced from the opposite side of the piston is returned to tank via the directional control valve.

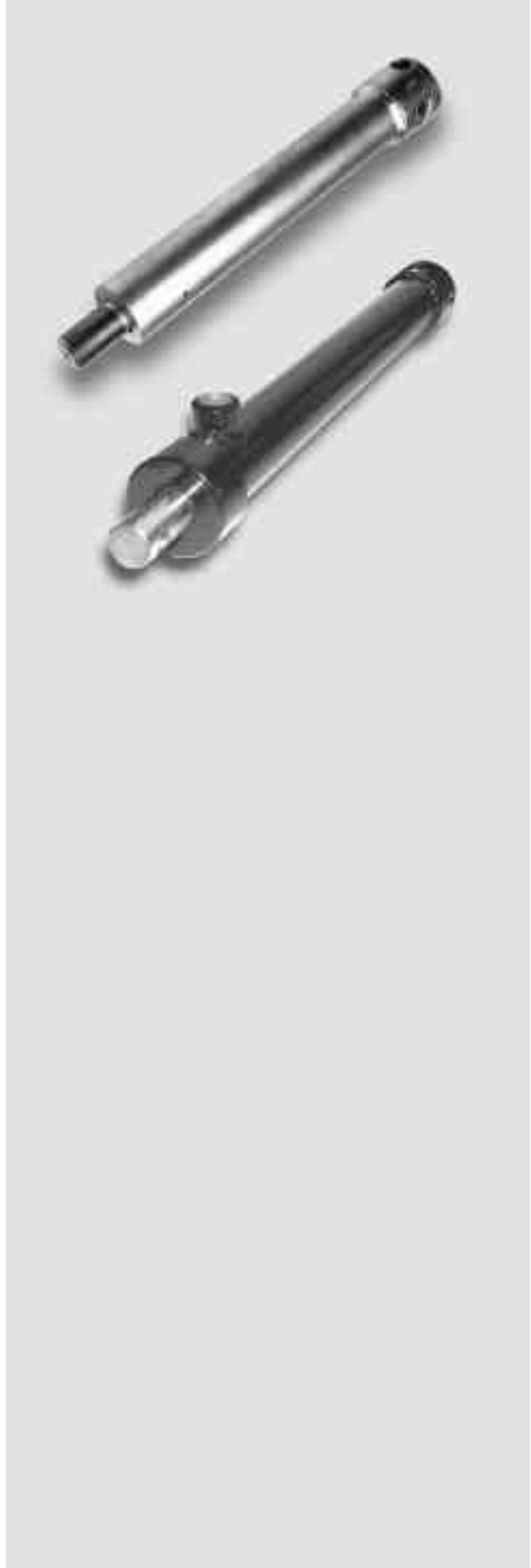
Specifications

Working Pressure:
207 bar

Materials:
Body: Cold drawn honed seamless tube with 8-16 micro inches finish.
Rod: Ground and hard chromed.

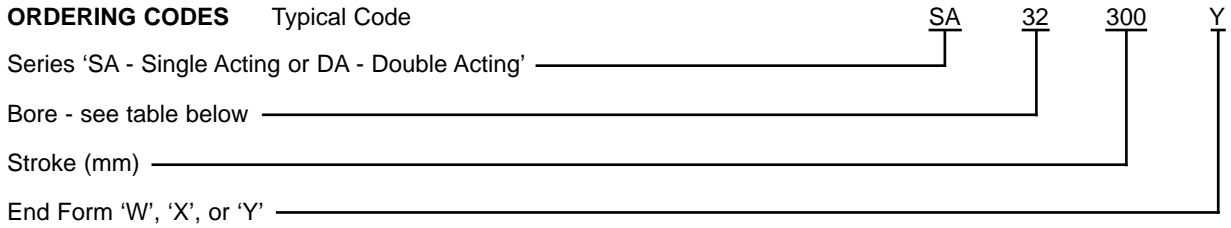
Porting:
See installation details

Bore ø mm	Area sq. cm	Thrust in kg.	
		100 bar	200 bar
32	8.04	820	1640
40	12.57	1282	2564
50	19.63	2002	4003
63	31.17	3178	6357
80	50.27	5126	10252
100	78.54	8009	16018



Quality Hydraulic Components from the Webtec Range

ORDERING CODES Typical Code

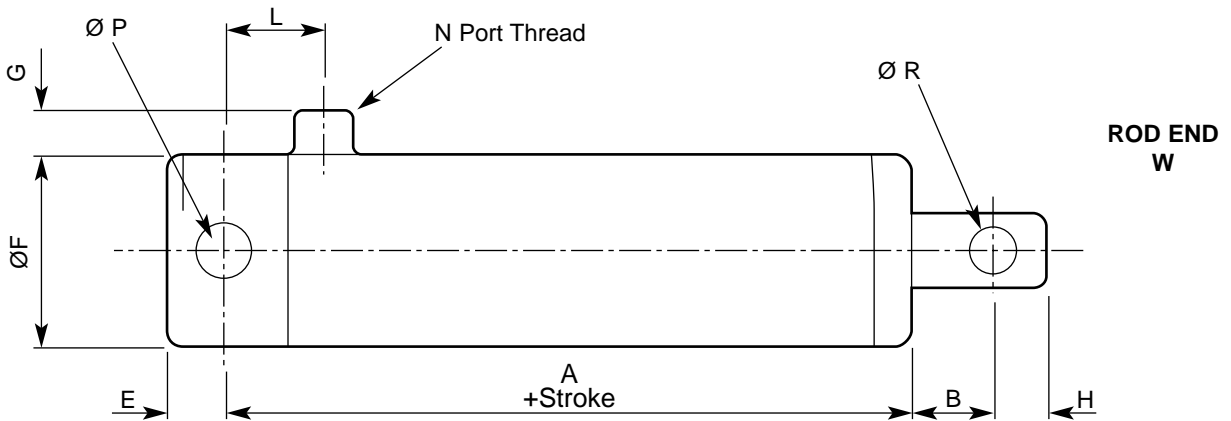


Bore	Rod	A	B	C	D	E	ØF	G	H	J Square	K	L	M	N BSP	ØP	ØR
32	16	104	20	20	24	16	40	16	10	30	12 x 1.75	33	42	1/4"	16	8
40	20	123	25	20	32	20	50	16	12	30	16 x 2	37	46	1/4"	20	10
50	25	143	30	20	40	25	60	17	18	35	20 x 2.5	44	50	3/8"	25	16
63	32	155	35	20	48	30	73	17	22	40	24 x 3	46	54	3/8"	30	20
80	40	174	40	25	72	35	92	19	26	50	36 x 4	55	57	1/2"	35	25
100	50	205	50	25	84	45	115	19	32	70	42 x 4.5	70	67	1/2"	45	30

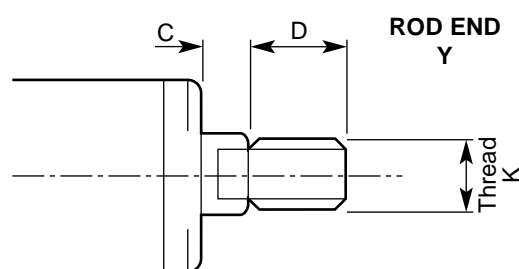
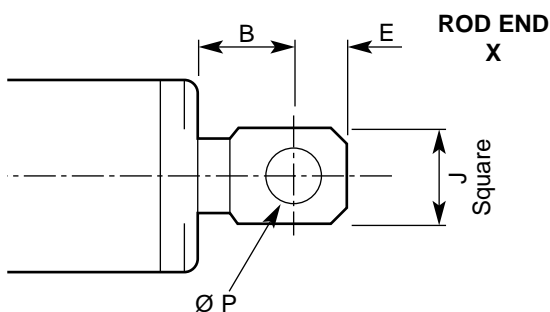
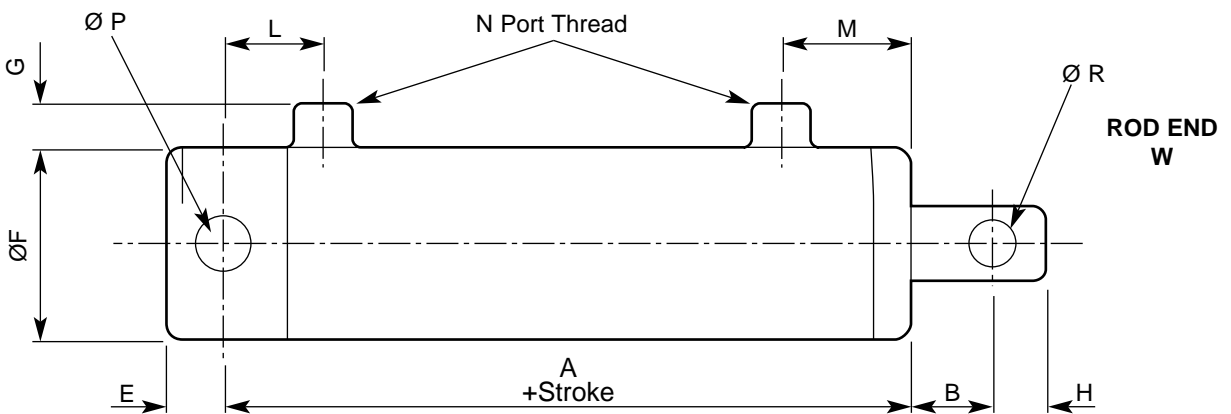
INSTALLATION DETAILS

Dimensions in millimetres

Single Acting



Double Acting



Toggle Lock Cylinder

TOGGLE LOCK CYLINDERS comprise a range of hydraulic units designed for use as heavy duty presses or high powered pulling and locking units for moving side cores on plastic and die-casting moulds.

Their compact unit construction allows them to be mounted on suitable framework to achieve a pulling, pressing or locking action at any angle to the workpiece. Ruggedly constructed, they incorporate moving rams actuated by double acting hydraulic cylinders through the medium of hardened High Tensile Steel linkage. The ram is thus able to provide locking pressures to withstand forces ranging from 10 to 15 tons according to type. (i.e. 25.4 = 10 tons, 38.1 = 12 tons, 50.8 = 15 tons).

Specifications

Max. Working Pressure:

103 bar
(If fitted with special Seals) 140 bar

Porting:

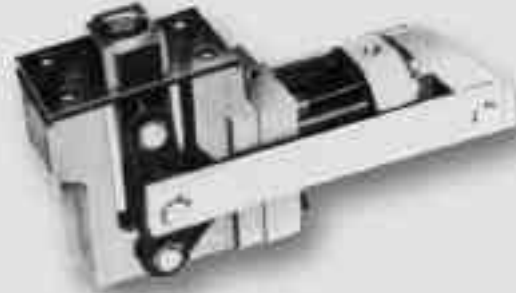
1/4" BSP

Material:

Body: SG Cast Iron with hardened steel linkage

Weight:

see Table 1, ordering codes



Features

- 3 Sizes.
- Hydraulic Double Acting Cylinder with Viton Seals.
- With the Ram in the forward position, the hydraulic supply can be removed without affecting the Toggle Lock Action.

Quality Hydraulic Components from the Webtec Range

ORDERING CODES Typical Code

Code (See Table 1)

H - Hydraulic

A - Standard (103 Bar) Max. Press.

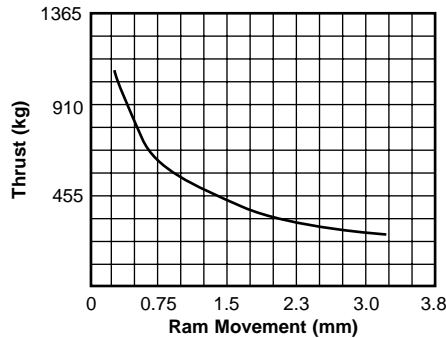
B - Special (140 Bar) Max. Press.

100 H A

Table 1

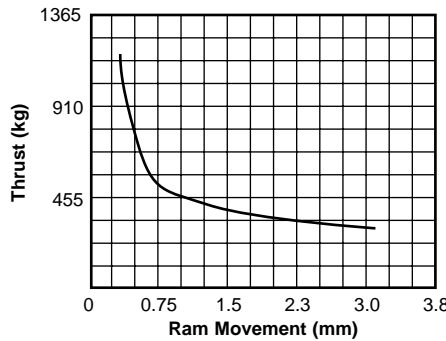
Code	Standard Ram Movement	Wt kg.	Cyl. Ø
100	25.4	16	41.3
150	38.1	18.5	41.3
200	50.8	21	41.3

Type 100



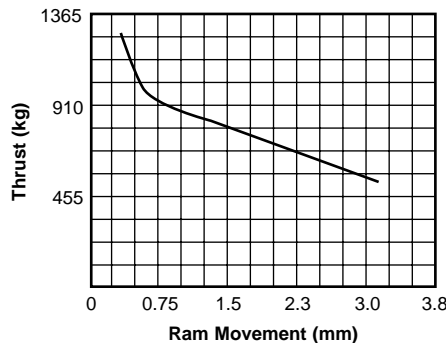
Movement	Thrust
0.25	1073
0.51	766
1.60	423
3.18	280

Type 150



Movement	Thrust
0.25	1209
0.51	682
1.60	382
3.18	295

Type 200



Movement	Thrust
0.25	1273
0.51	986
1.60	786
3.18	545

Graphs: Show relationship between Ram Movement and Thrust (presswork).
 For hydraulic units using 41.3 dia. cylinder operating at 70 bar multiply Thrust by 3.57. For pulling force
 (Core withdrawal) multiply Thrust by 4.19.

Quality Hydraulic Components from the Webtec Range

INSTALLATION & SPARES DETAILS

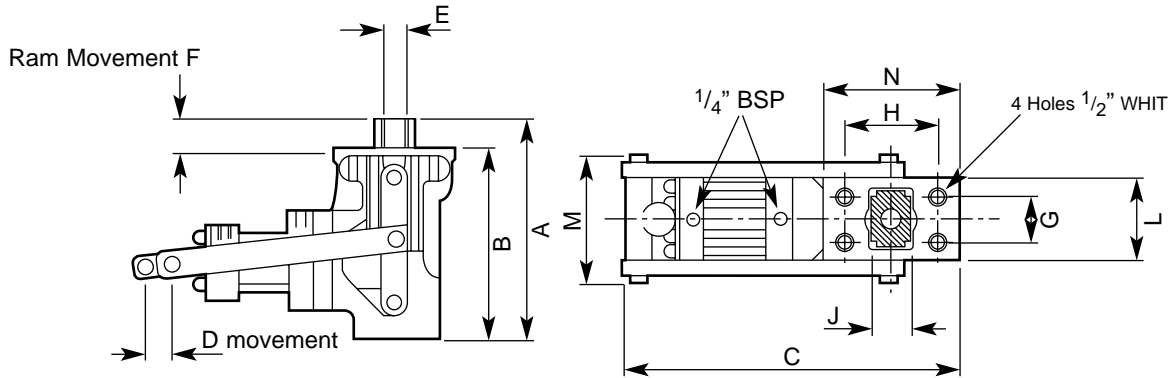
Dimensions in millimetres

TYPE 100

25.4 Movement

TYPE 150

38.1 Movement

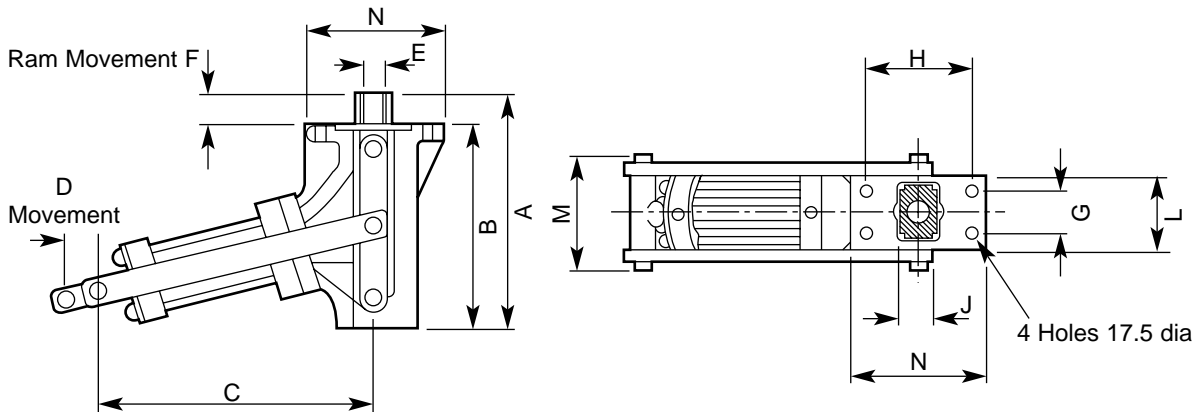


Hydraulic Seal Kit TSK3967
(Type 100 & 150)

	A	B	C	D	E	F	G	H	J	L	M	N
Type 100	172	152	292	33	1 1/8" BSF Thread	25.4	41.27	84.14	38	81	127	121
Type 150	221	187	336	48	1 1/8" BSF Thread	38.1	41.27	84.14	38	81	127	121

TYPE 200

50.8 Movement

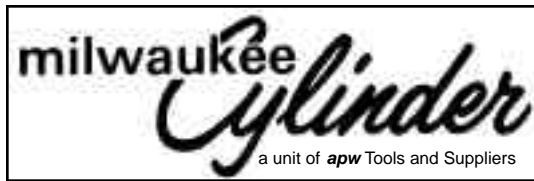


Hydraulic Seal Kit TSK3967

A	B	C	D	E	F	G	H	J	L	M	N
260	209	371	60	1 1/8"BSF Thread	50.8	41.3	120.6	40	81	127	159

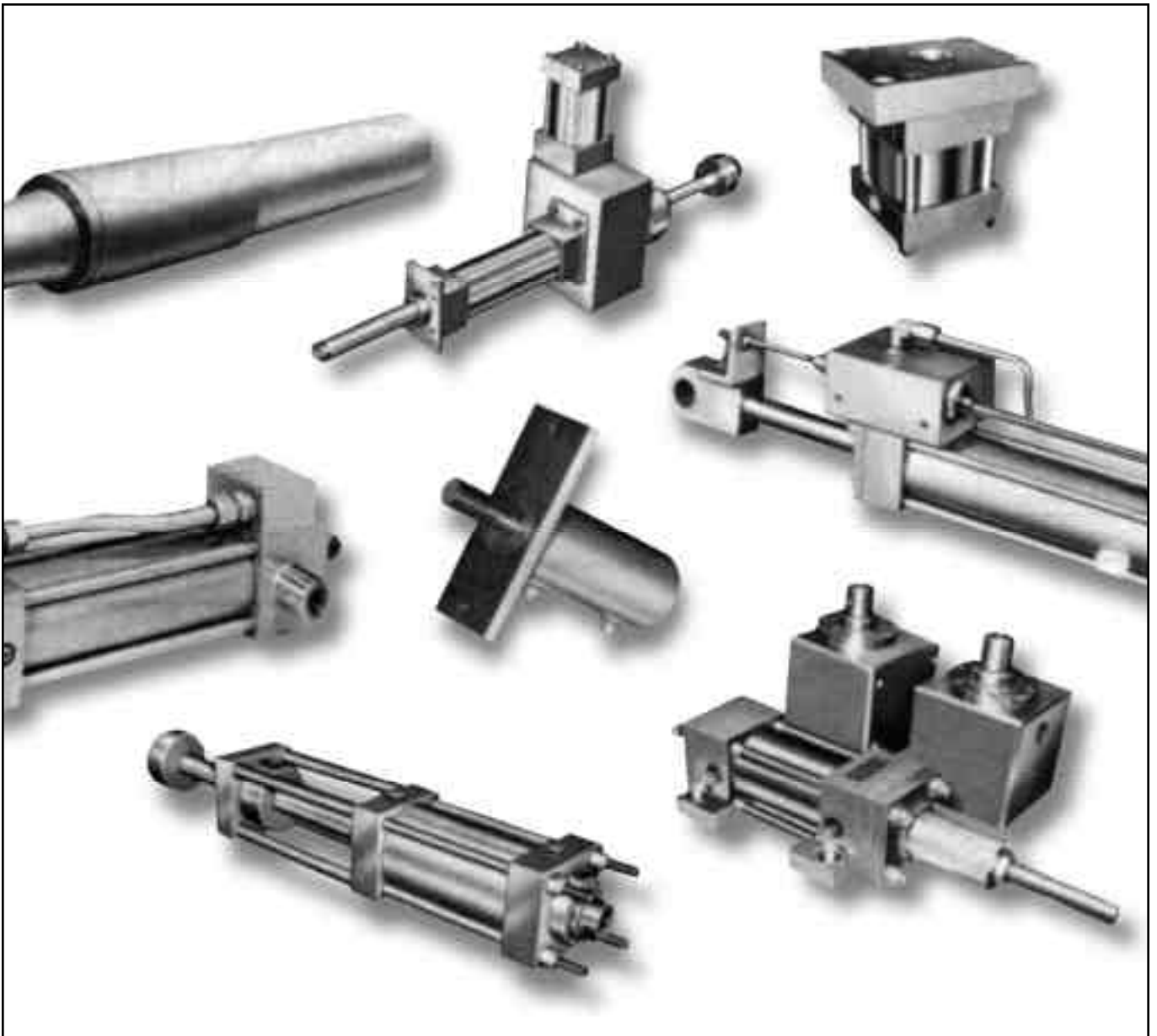
Quality Hydraulic Components from the Webtec Range

We are United Kingdom agents for:



Cudahy, Wisconsin, U.S.A.

For all Your Cylinder needs . . .



Standard Series

Quick Release Hose Couplings



THE STANDARD SERIES OF QUICK RELEASE COUPLINGS is a well proven series with good availability. The series provides a choice of 5 sizes of pull break COUPLINGS suitable for agricultural or industrial hydraulic systems.

Coupling bodies are constructed of Steel, Zinc Plated for corrosion resistance, and Nitrile Seals give service over a wide temperature range of Oil or Water/Glycol mediums.

Each half of the coupling contains a spring loaded poppet type valve which closes on disconnection. On connection, the extended spigot on the poppet contacts the spigot on the opposing coupling half and opens the valve to allow fluid flow.

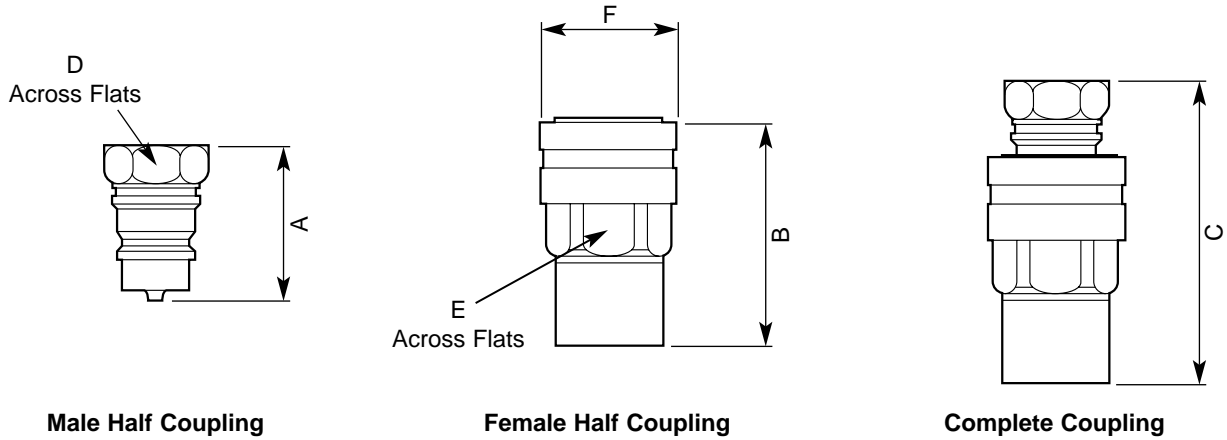
The Standard Series COUPLINGS are interchangeable with other COUPLINGS designed to the interface of BA1495 and draft international standards.

Porting available is 1/4", 3/8", 1/2", 3/4", or 1" BSP Parallel and will accept any pipe or hose fittings sealed by a bonded seal or metal sealing ring to ISO1179.

Description	Ordering Code Numbers				
	1/4 " BSP Ports	3/8 " BSP Ports	1/2 " BSP Ports	3/4 " BSP Ports	1" BSP Ports
Male Half Couplings	SM0252	SM0372	SM0502	SM0752	SM1002
Dust Cap	TSK3688	C026 914	C024 062	C027 052	C100 662
Female Half Couplings	SF0253	SF0373	SF0503	SF0753	SF1003
Dust Cap	TSK 3689	C026 915	C024 063	C027 053	C100 663

Quality Hydraulic Components from the Webtec Range

INSTALLATION DETAILS Dimensions in millimetres



Dimension	1/4" BSP Size	3/8" BSP Size	1/2" BSP Size	3/4" BSP Size	1" BSP Size
A	35	45	49	64	71
B	49	60	61	85	97
C	65	84	90	116	127
D	19	22	27	35	41
E	24	27	32	41	48
F	27	32	39	45	54

Size	1/4" BSP	3/8" BSP	1/2" BSP	3/4" BSP	1" BSP
Maximum Working pressure - bar	344	275	275	275	275
Maximum pressure for hand connection - bar	10	10	8	3	2.5
Maximum pressure for hand disconnection - bar	40	40	20	10	10
Spillage on disconnection - cc	0.5	1.3	2.8	8.2	14.2
Weight connected - kg	0.17	0.26	0.38	0.80	1.15
Rated Flow - lpm	5.5	31	46	96	155
Temperature range	- 40°C to +120°C				

Manufacturers of Hydraulic Components and Test Equipment for the Mobile, Industrial and Agricultural Industries



Your Webtec Products representative:



WEBTEC

WEBTEC PRODUCTS LIMITED

**Nuffield Road, St. Ives, Cambridgeshire, PE27 3LZ, UK
Tel: +44(0)1480 397400 Fax: +44(0)1480 466555**

**E-mail: sales@webtec.co.uk
See us at: www.webtec.co.uk**



Certificate No.8242



Webtec Products Limited reserve the right to make improvements and changes to the specification without notice.