



WEBTEC

WEBTEC PRODUCTS LIMITED

**Hydraulic Directional
Control Valves (In-line)
(Formerly H&C/JFP/B&G)**

Hydraulic Directional Control Valves

www.webtec.co.uk

Contents

Description	Page number
1/2" BSP lever operated valves	1
1/2" BSP cam operated valves	3
1/2" BSP air pilot operated valves	5
1/2" BSP oil pilot operated valves	7
3 port diverter valve	9



WEBTEC

WEBTEC PRODUCTS LIMITED

Nuffield Road, St. Ives, Cambs., PE27 3LZ, UK
Tel: +44(0)1480 397400 Fax: +44(0)1480 466555
E-mail: sales@webtec.co.uk

<http://www.webtec.co.uk>

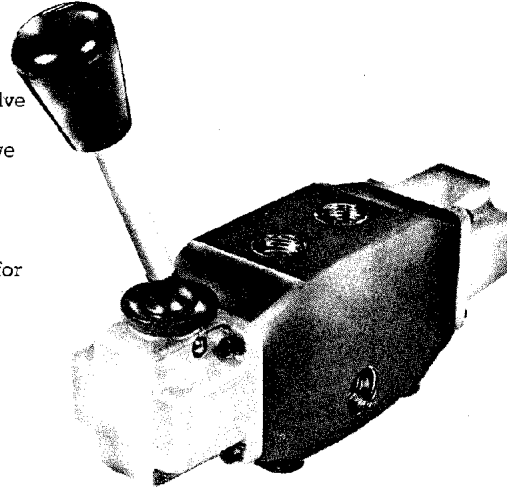
1/2" BSPP Lever Operated Directional Control Valve

Description

Nominal flow rate - 55 litres
(see graph for further details)
Max. operating pressure - 350 bar
Max. pressure on "T" port - 350 bar
Recommended operating viscosity
range - min. 13 c/st - max. 800 c/st
Recommended operating
temperatures - min. -30°C - max
80°C
Recommended filtration - 25
microns or better
Seals medium nitrile (consult
Technical Sales for alternatives)
Leakage - typical max. allowable
on works test 15cc at 135 bar, oil 35
c/st at 40°C
Mounting unrestricted

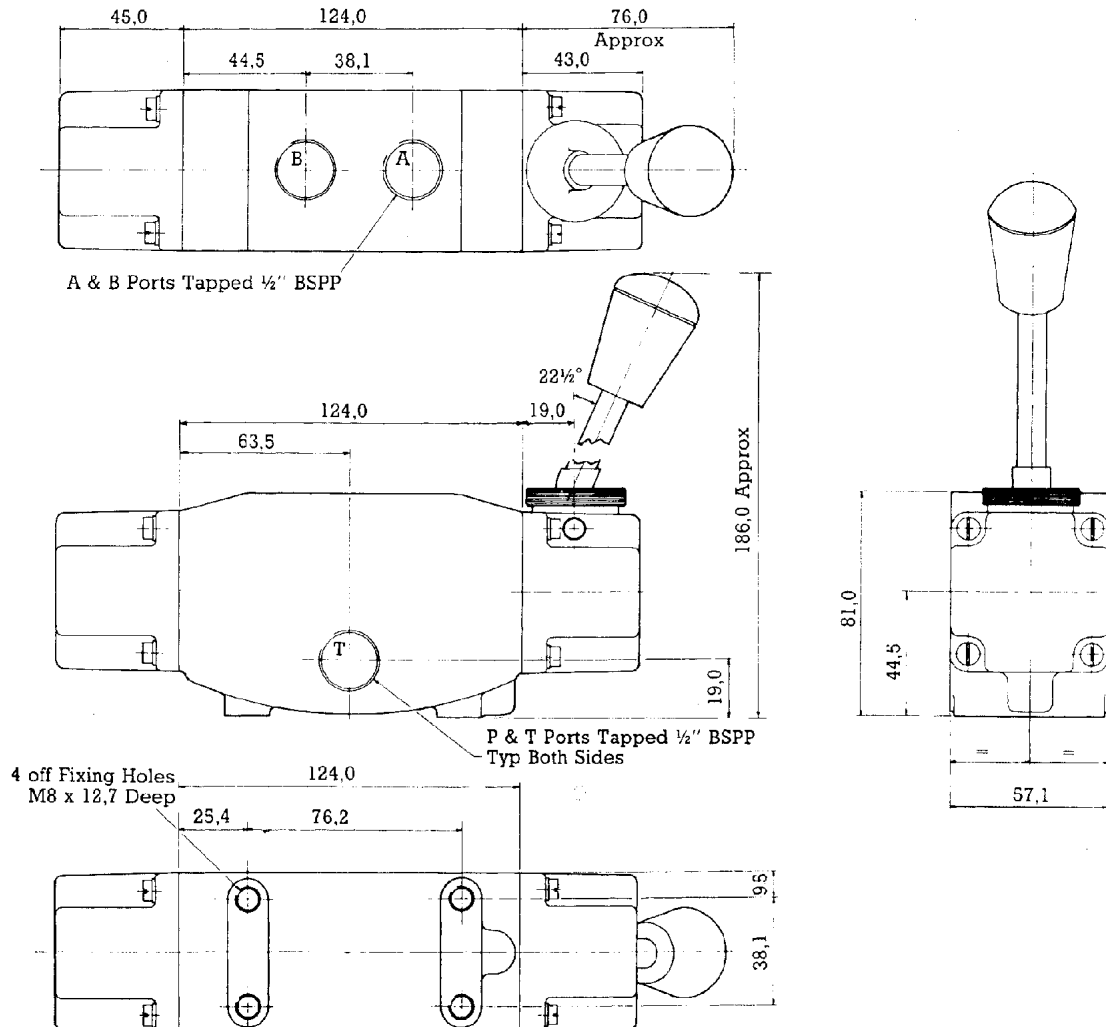
Directional functions

N.B. Lever fitted on 'A'
Port end
Lever pulled away from valve
'P' to 'A'
Lever pushed towards valve
'P' to 'B'
Force required to move
lever at standard knob
centre - 4.5kg
N.B. All materials suitable for
N.C.B. underground use.

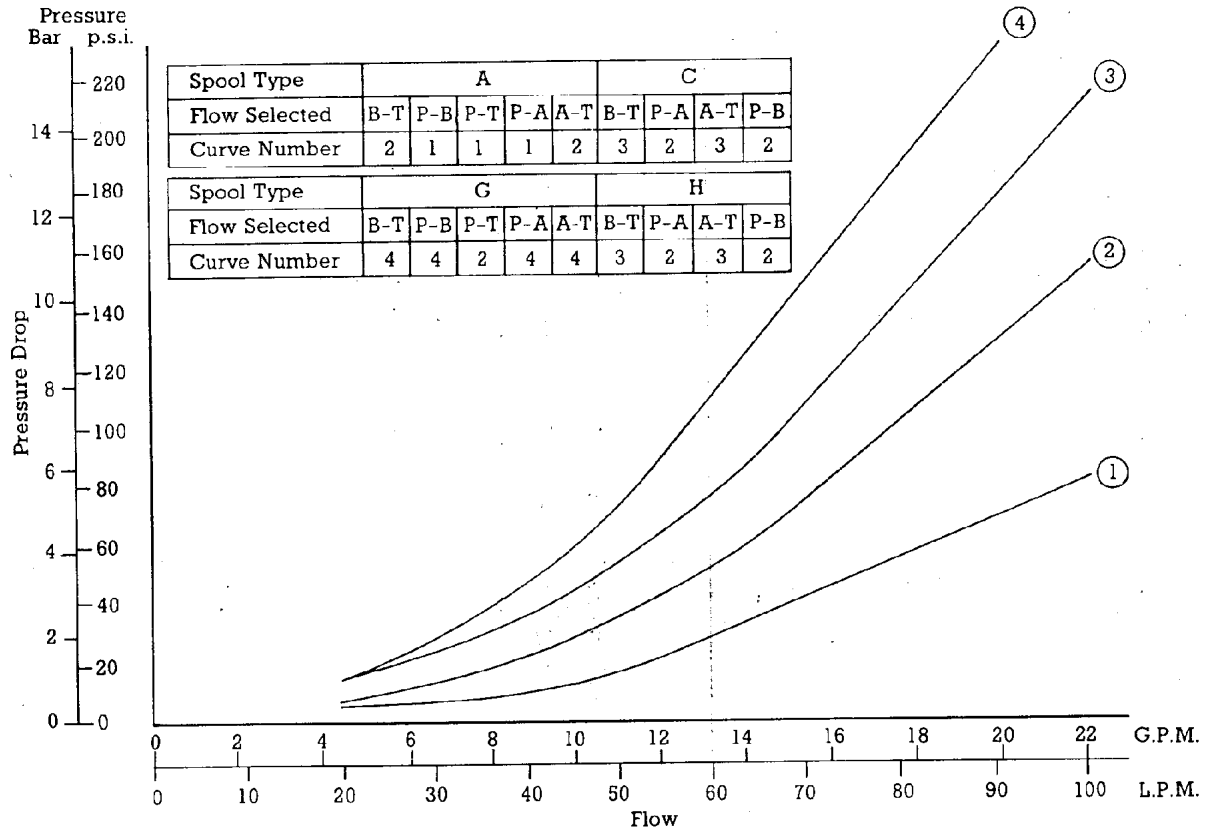


General Arrangement

Weight 4,5 kg



Pressure Drop Curve



Ordering Code

SPOOL TYPE	
	A
	C
	G
	H
	I
	J

SPOOL CONTROL	
	Spring centred. 3 position. 4
	Spring centred. 2 position. Stop in lever cap. B
	Spring centred. 2 position. Stop in end cap. C
	Detent. 3 position. 3
	Detent. 2 position. Stop in lever cap. E
	Detent. 2 position. Stop in end cap. F
	Spring Offset. P to B 2 position. Stop in end cap. H
Microswitch fitted. A C C H spools spring centred only	
	Switch on lever pull only. P to A. K
	Switch on lever push only. P to B. L
	Switch on lever push and pull. M
	Detent Microswitch push and pull. N

SPECIAL	
	M
	O
	O

SPECIAL	
	Spring centred from P to A. Opposite end detented. J
	2 Detent. Stop in end lever cap. E
	Spring P to B. Stop in end lever cap. B

Hose rewind valve

LEVER TYPE	
Standard 2 3/4" Lever. Facing up-direction of ports.	E
90° Lever. Facing up-direction of ports.	H
Eye-end Lever. Facing up-direction of ports.	J
Straight Lever. Facing up-direction of ports.	A
As 'E' but facing down. Opposite ports.	B
As 'H' but facing down. Opposite ports.	G
As 'J' but facing down. Opposite ports.	F
As 'A' but facing down. Opposite ports.	K

Preferred Standard
Others To Order

Pilot Operated Service Port Lock Addition. A or H Spools Only.	
Lock on Port A	A
Lock on Port B	B
Lock on both ports	C

BG4D - 081 - [] [] [] []



WEBTEC

WEBTEC PRODUCTS LIMITED

Nuffield Road, St. Ives, Cambs., PE27 3LZ, UK
Tel: +44(0)1480 397400 Fax: +44(0)1480 466555
E-mail: sales@webtec.co.uk

<http://www.webtec.co.uk>

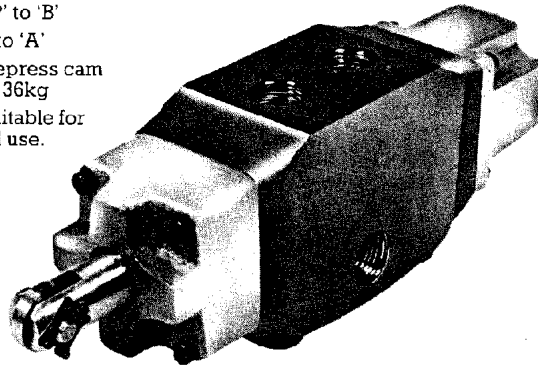
1/2" BSPP Cam Operated Directional Control Valve

Description

Nominal flow rate - 55 litres
(see graph for further details)
Max. operating pressure - 350 bar
Max. pressure on 'T' port - 350 bar
Recommended operating viscosity
range - min. 13 c/st - max. 800 c/st
Recommended operating
temperatures - min. -30°C - max.
80°C
Recommended filtration - 25
microns or better
Seals medium nitrile (consult
Technical Sales for alternatives)
Leakage - typical max. allowable
on works test 15cc at 135 bar, oil 35
c/st at 40°C
Mounting unrestricted

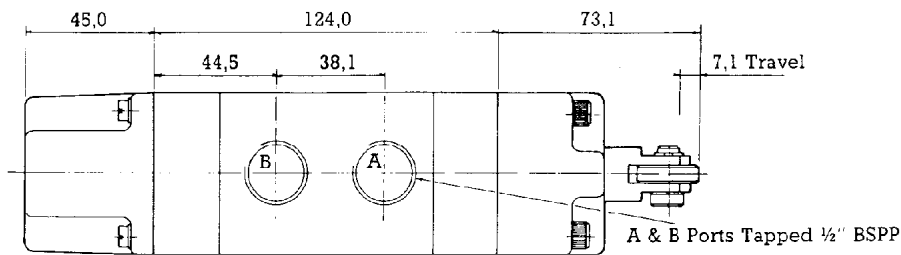
Directional functions

N.B. Cam actuator fitted on
'A' port end
Cam spring offset 'P' to 'B'
Cam depressed 'P' to 'A'
Force required to depress cam
Start - 11.5kg, Full - 36kg
N.B. All materials suitable for
N.C.B. underground use.

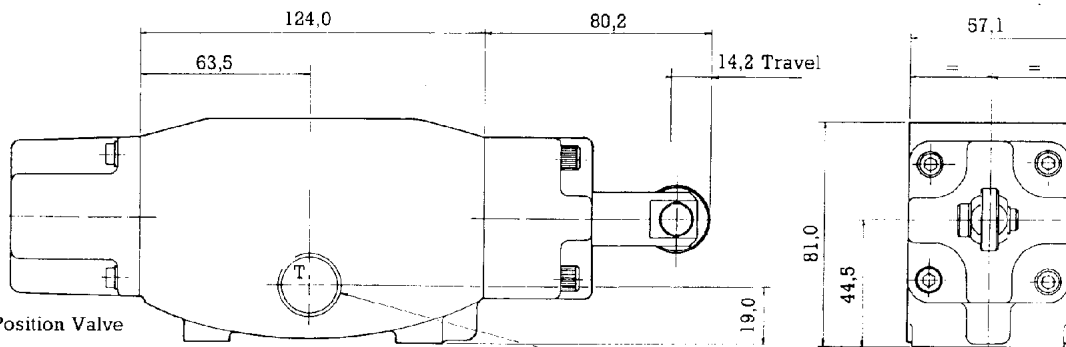


General Arrangement

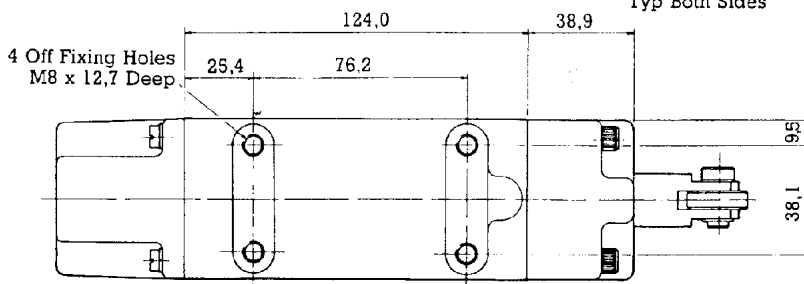
Weight 4,7 kg



2 Position Valve

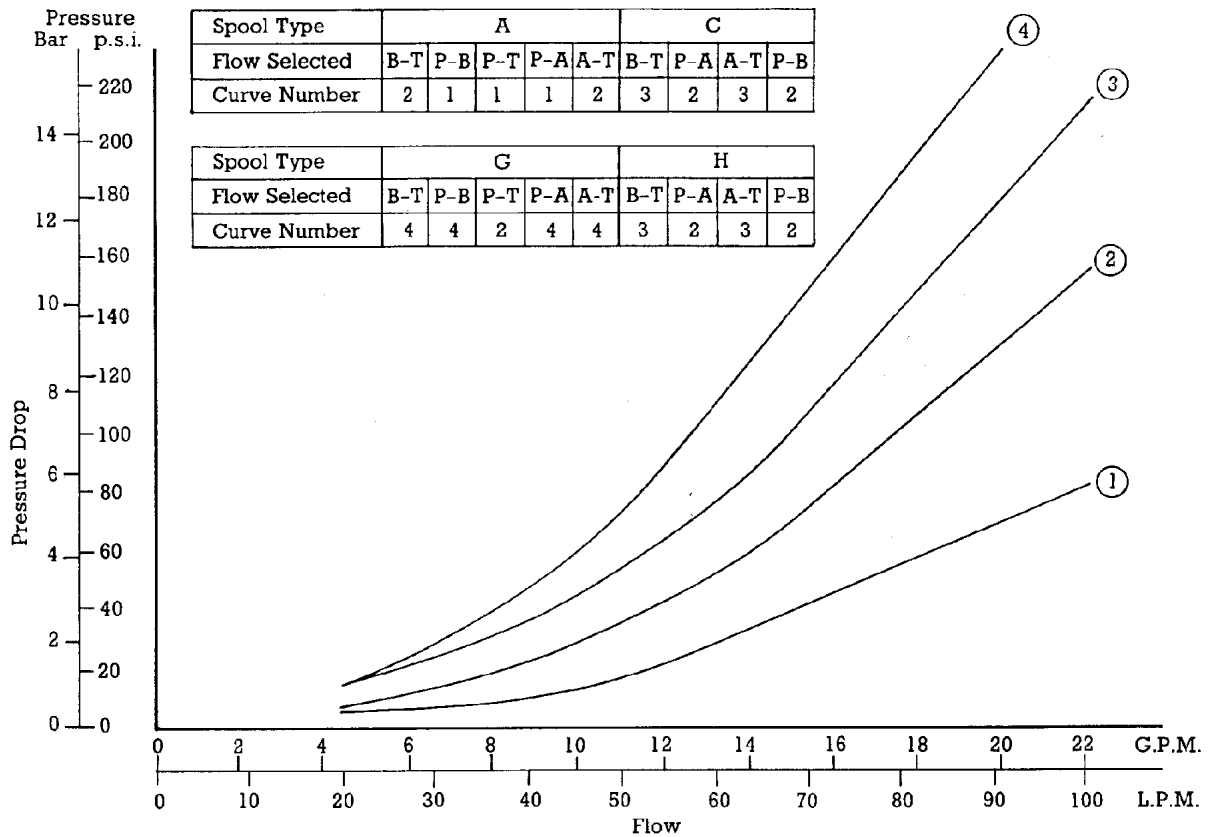


3 Position Valve



4 Off Fixing Holes
M8 x 12,7 Deep

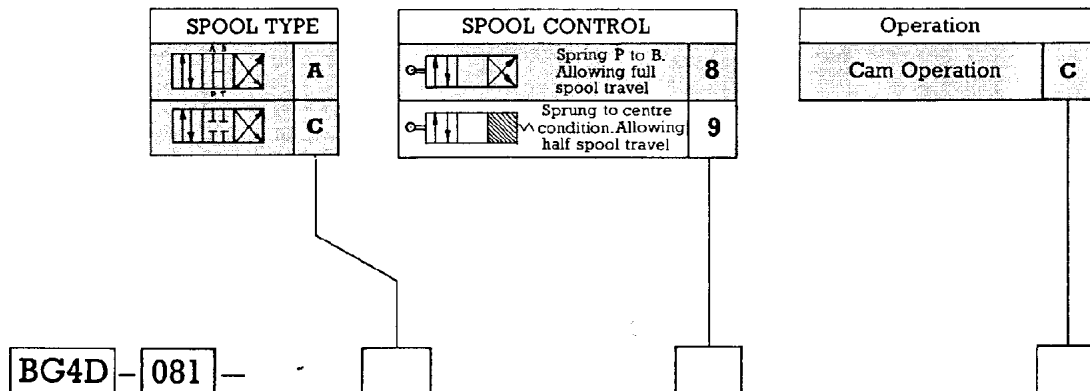
Pressure Drop Curve



Ordering Code

Normally Ex Stock

Others To Order





WEBTEC

WEBTEC PRODUCTS LIMITED

Nuffield Road, St. Ives, Cambs., PE27 3LZ, UK
Tel: +44(0)1480 397400 Fax: +44(0)1480 466555
E-mail: sales@webtec.co.uk

<http://www.webtec.co.uk>

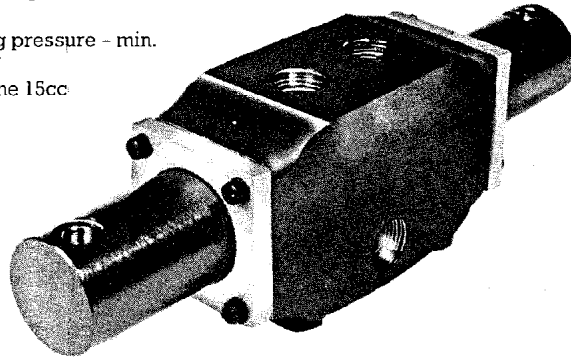
1/2" BSPP Air Pilot Operated Directional Control Valve

Description

Nominal flow rate - 55 litres
(see graph for further details)
Max. operating pressure - 350 bar
Max. pressure on 'T' port - 350 bar
Recommended operating viscosity
range - min. 13 c/st - max. 800 c/st
Recommended operating
temperatures - min. -30°C - max
80°C
Recommended filtration - 25
microns or better
Seals medium nitrile (consult
Technical Sales for alternatives)
Leakage - typical max. allowable
on works test 15cc at 135 bar, oil 35
c/st at 40°C
Mounting unrestricted

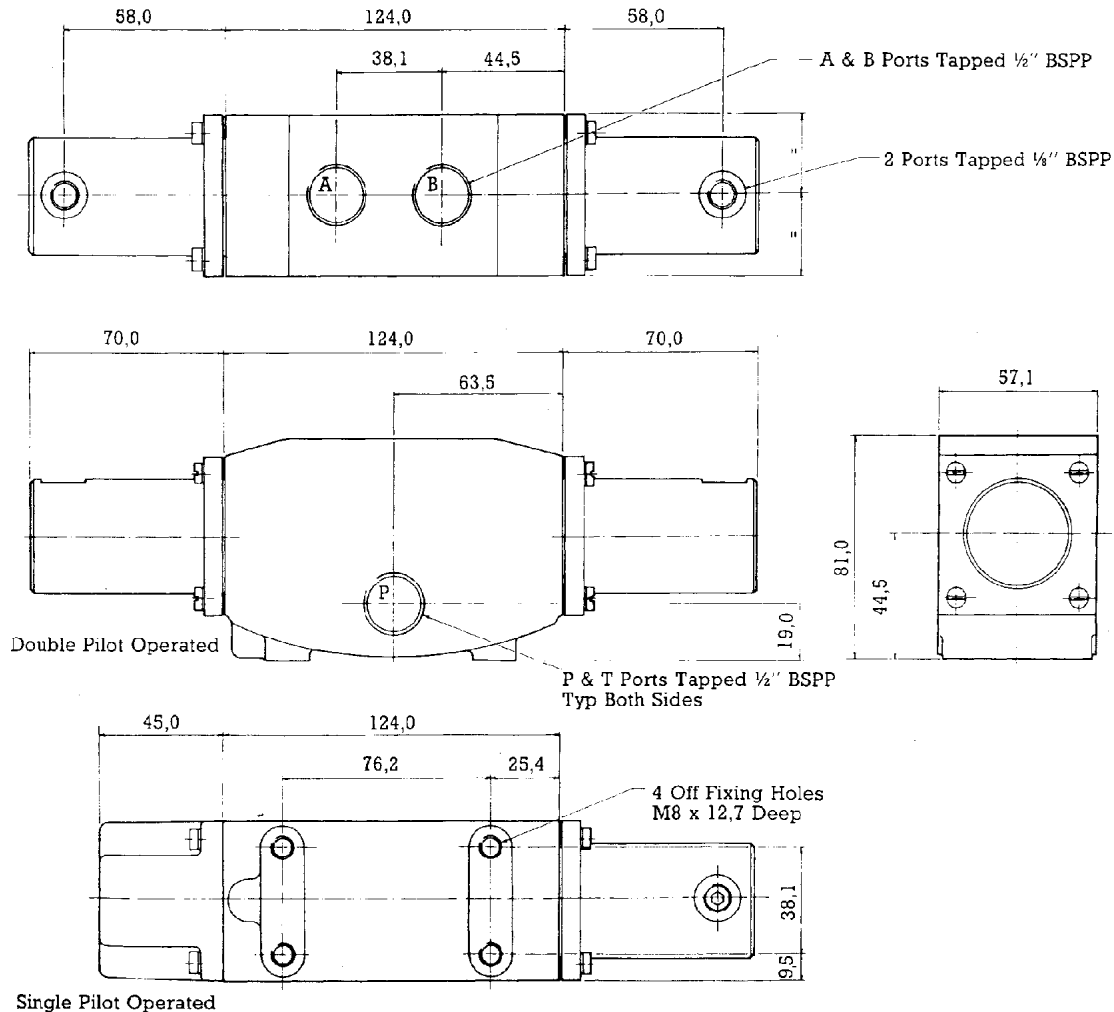
Directional functions

Air signal applied to port 'A' end -
'P' to 'A'
Air signal applied to port 'B' end -
'P' to 'B'
Air pilot operating pressure - min.
5 bar, max. 10 bar
Air actuator volume 15cc

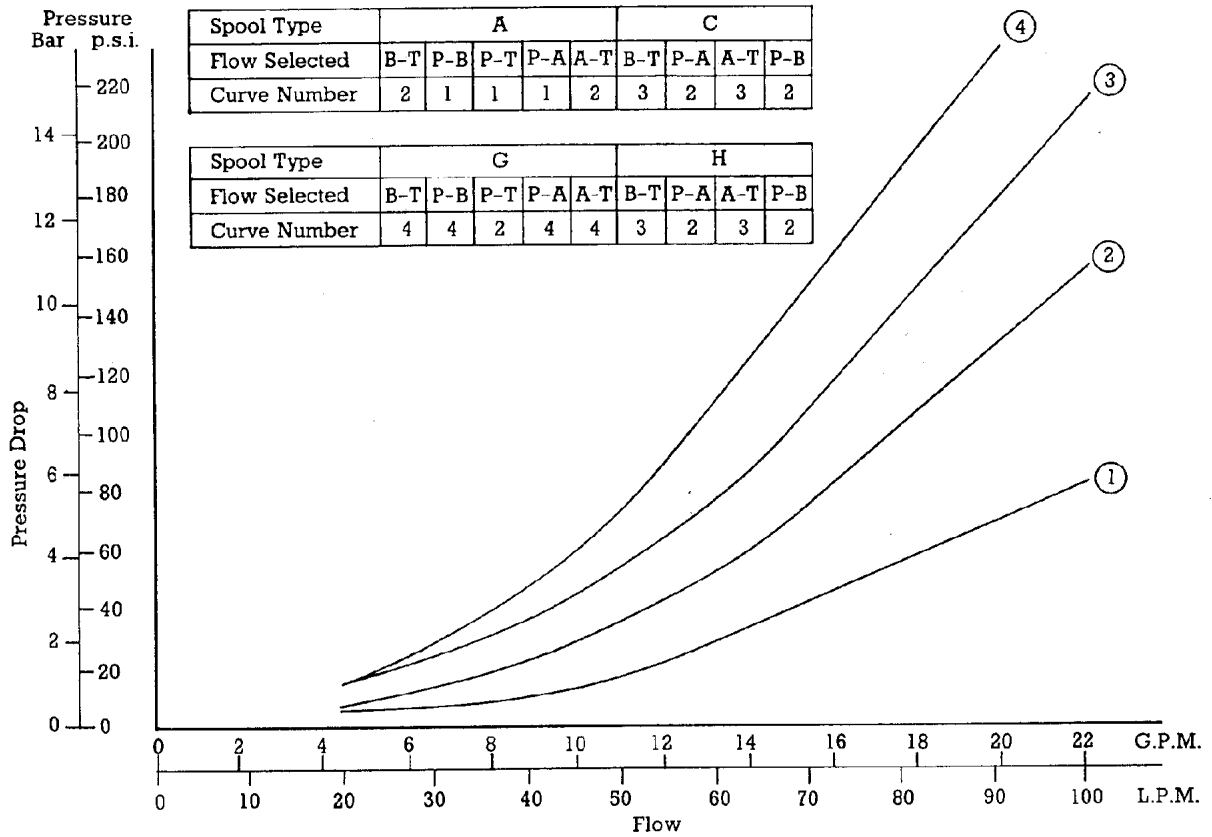


General Arrangement

Weight 4,1 kg



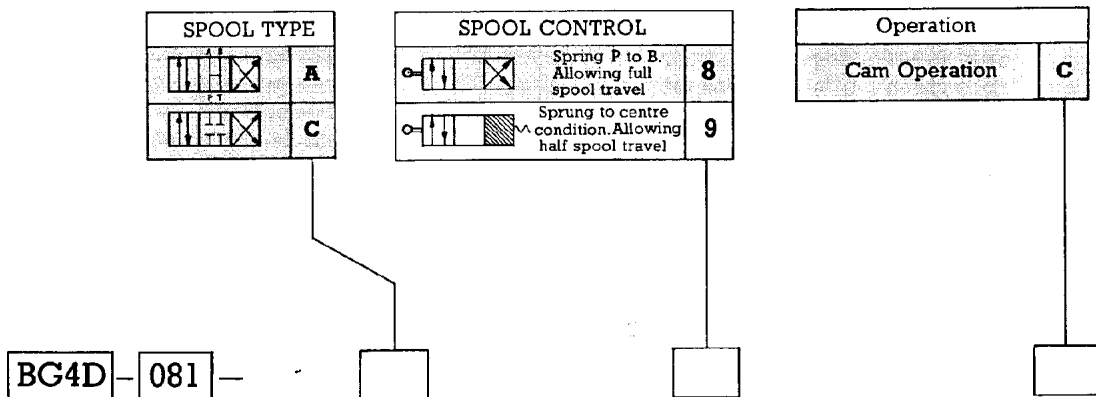
Pressure Drop Curve



Ordering Code

Normally Ex Stock

Others To Order





WEBTEC

WEBTEC PRODUCTS LIMITED

Nuffield Road, St. Ives, Cambs., PE27 3LZ, UK
Tel: +44(0)1480 397400 Fax: +44(0)1480 466555
E-mail: sales@webtec.co.uk

<http://www.webtec.co.uk>

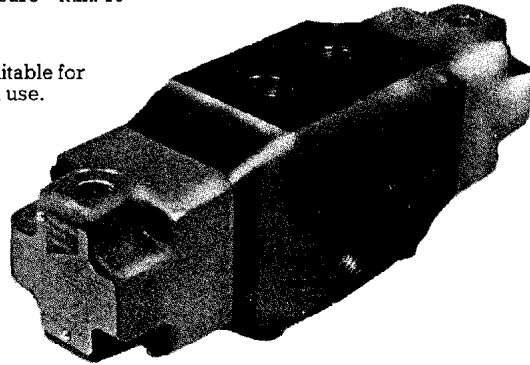
1/2" BSPP Oil Pilot Operated Directional Control Valve

Description

Nominal flow rate - 55 litres
(see graph for further details)
Max. operating pressure - 350 bar
Max. pressure on 'T' port - 350 bar
Recommended operating viscosity
range - min. 13 c/st - max. 800 c/st
Recommended operating
temperatures - min. -30°C - max.
80°C
Recommended filtration - 25
microns or better
Seals medium nitrile (consult
Technical Sales for alternatives)
Leakage - typical max. allowable
on works test 15cc at 135 bar, oil 35
c/st at 40°C
Mounting unrestricted

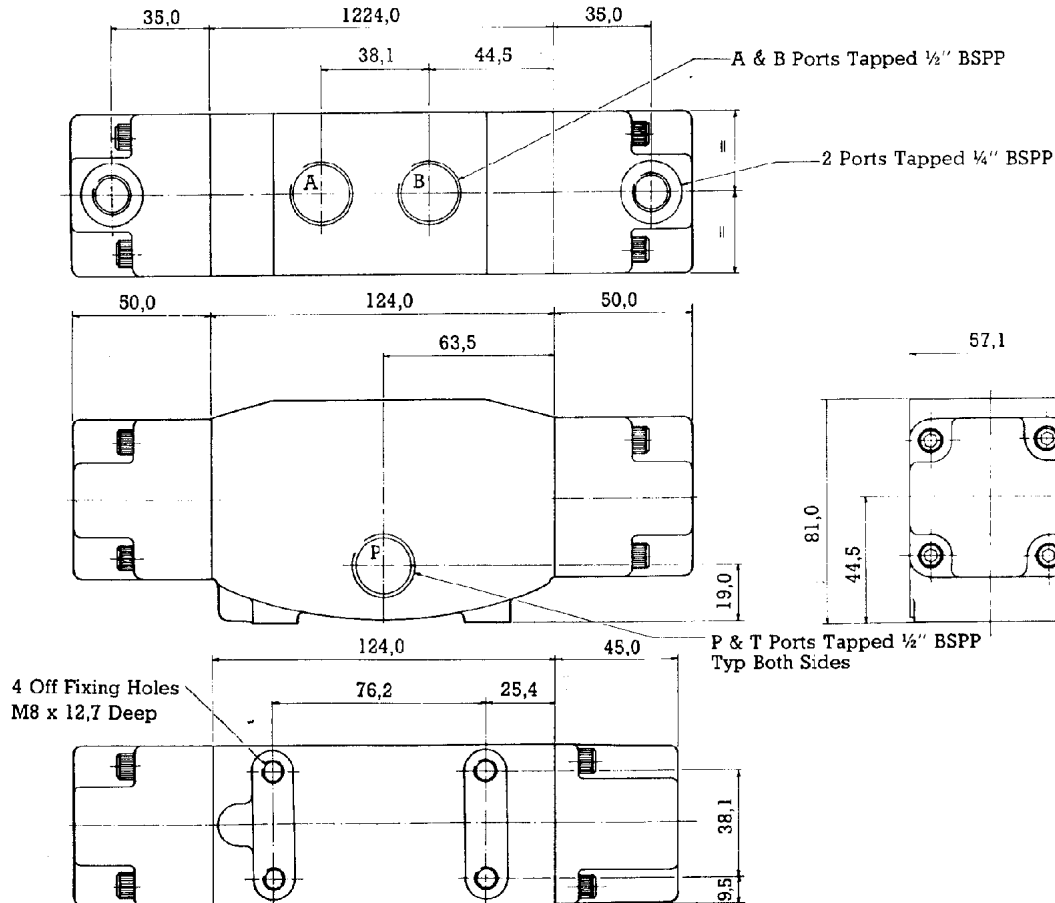
Directional functions

Pilot signal applied to port 'A' end -
'P' to 'A'
Pilot signal applied to port 'B' end -
'P' to 'B'
Pilot operating pressure - min. 10
bar, max. 135 bar
Pilot volume 7.5cc
N.B. All materials suitable for
N.C.B. underground use.

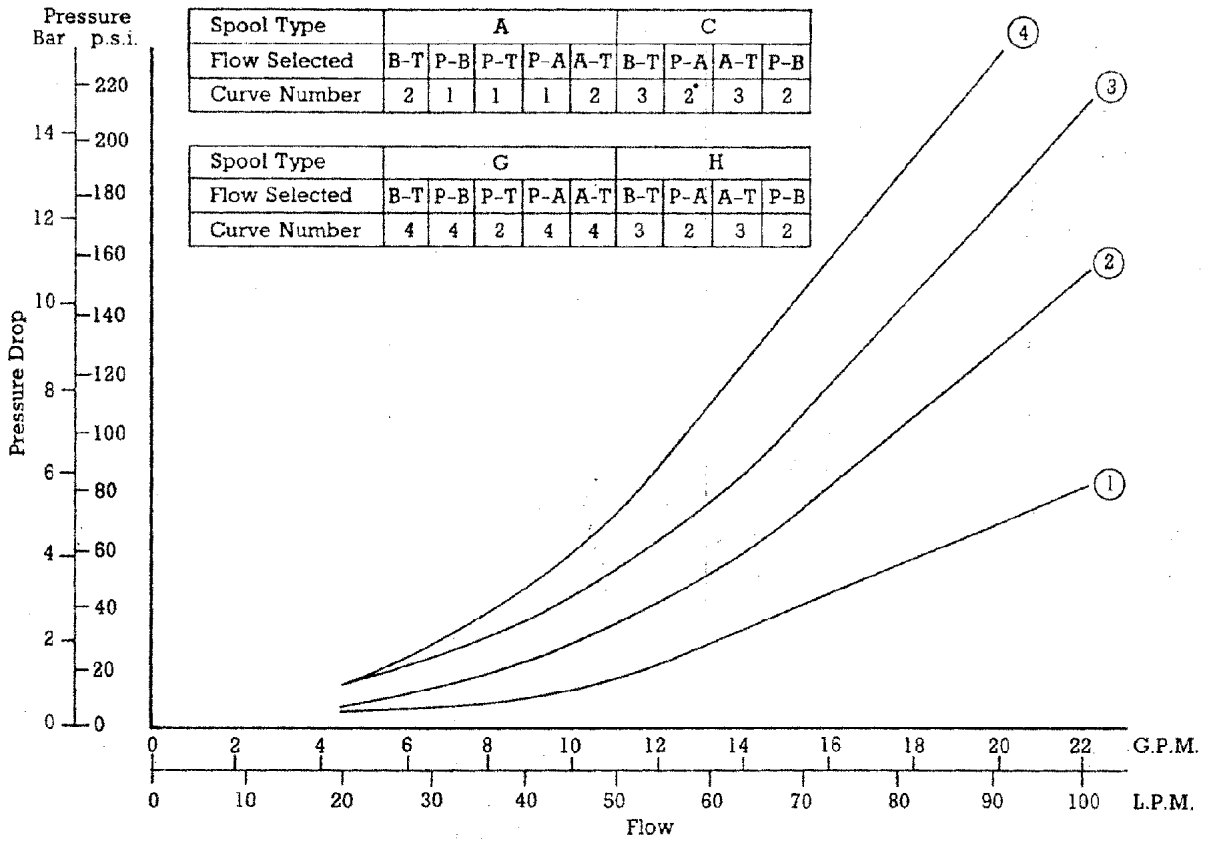


General Arrangement

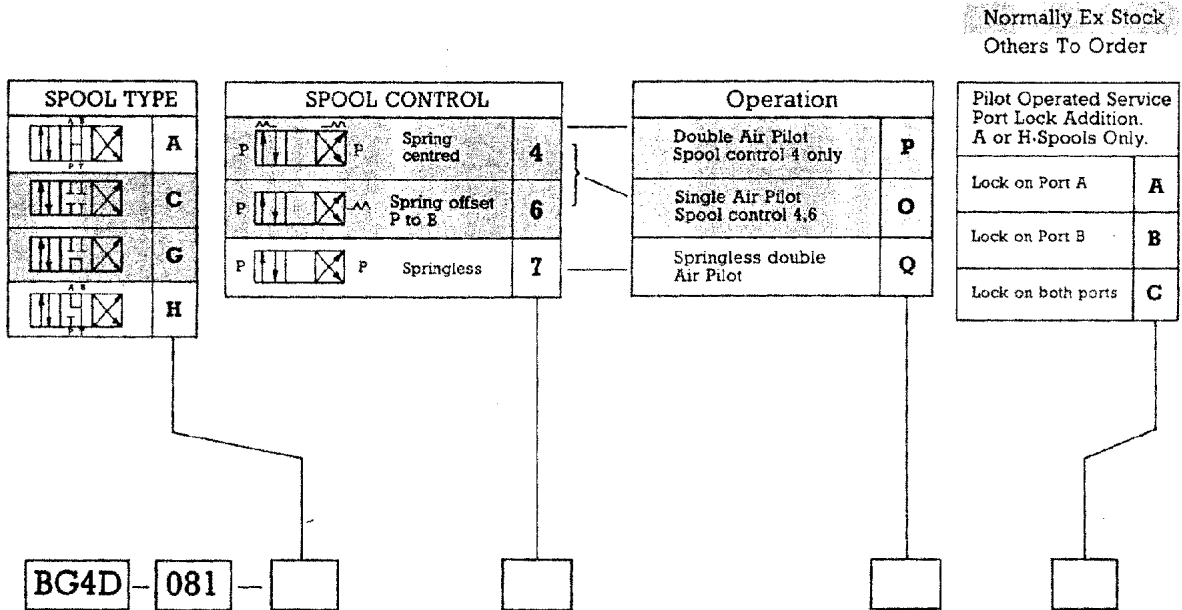
Weight 4,7 kg



Pressure Drop Curve



Ordering Code





WEBTEC

WEBTEC PRODUCTS LIMITED

Nuffield Road, St. Ives, Cambs., PE27 3LZ, UK
Tel: +44(0)1480 397400 Fax: +44(0)1480 466555
E-mail: sales@webtec.co.uk

<http://www.webtec.co.uk>

3 Port Diverter Valve

Description

Nominal flow rate - 65 litres per min. (see graph for further details)

Max. operating pressure - 210 bar (all ports)

Recommended operating viscosity range - min. 13 c/st max. 800 c/st

Recommended operating temperature - min -30°C - max 80°C

Recommended filtration - 25 microns or better

Seals - medium nitrile (consult J.F.P. Sales for alternatives)

Leakage - typical max. allowable on works test 50cc at 135 bar, oil 35 c/st at 40°C

Mounting - unrestricted

Directional Functions

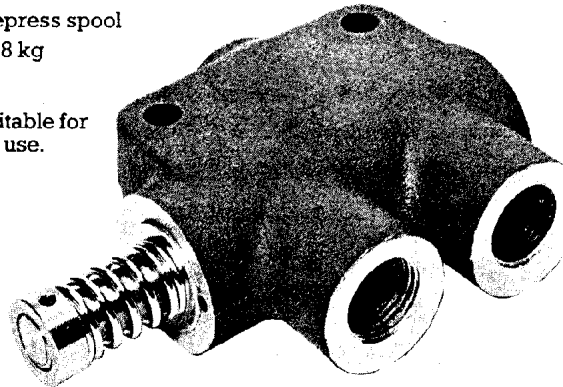
Spool released P to A

Spool depressed P to B

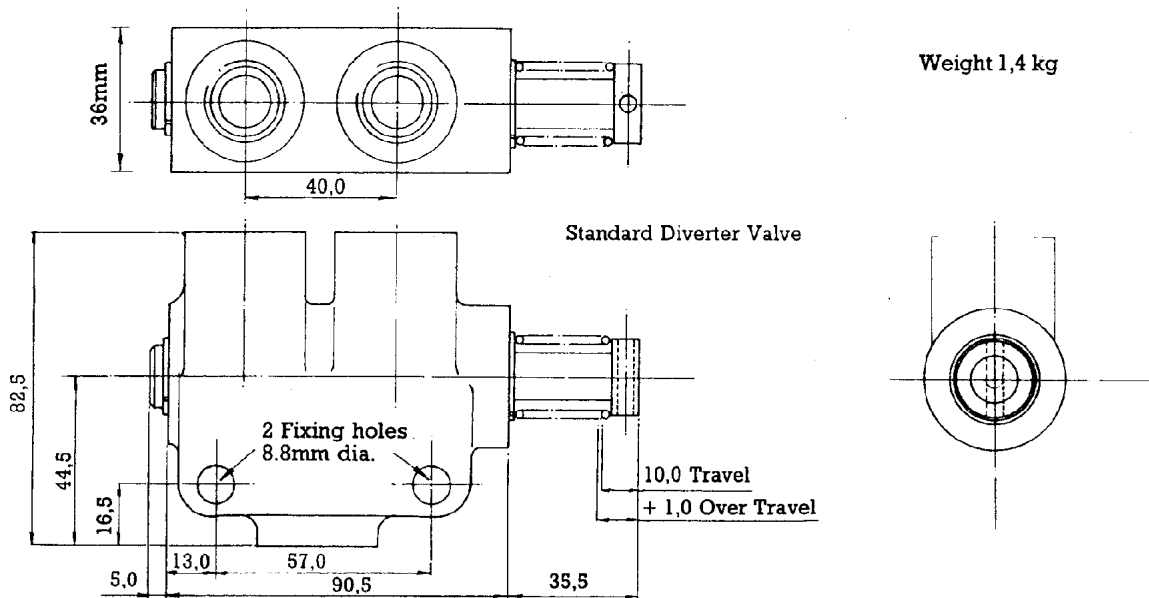
Force required to depress spool

Start - 8.2 kg Full 31.8 kg

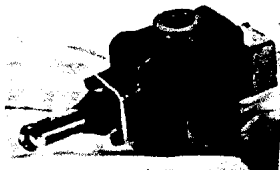
N.B. All materials suitable for N.C.B. underground use.



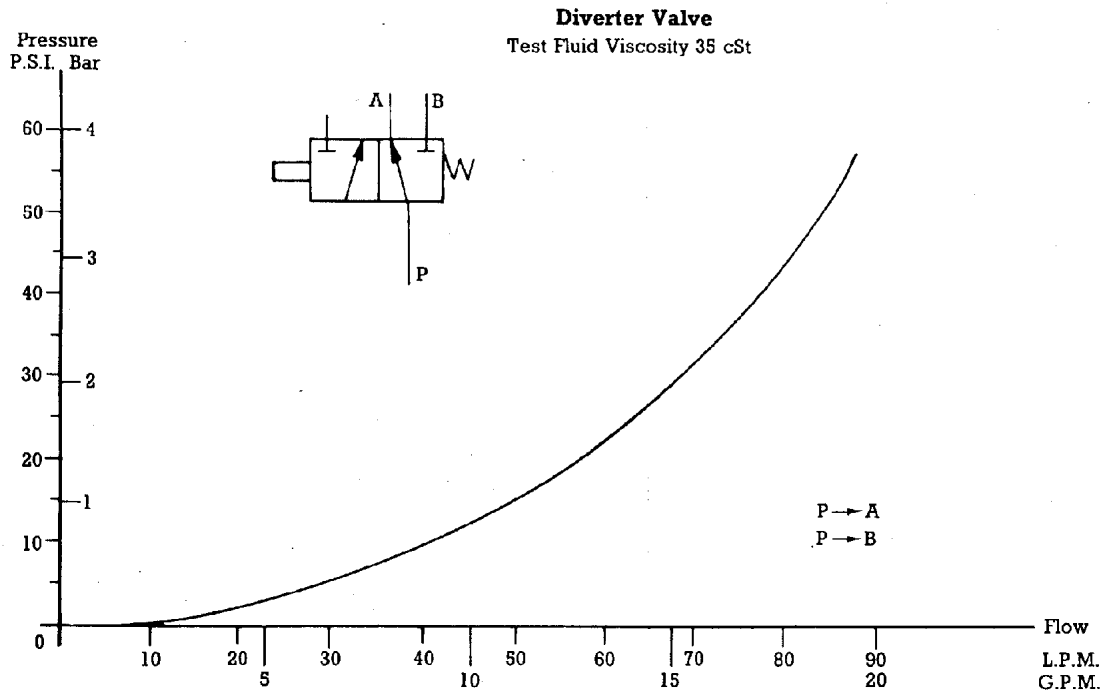
General Arrangement



Scrap view
Cam operated
Diverter Valve



Pressure Drop Curves



Ordering Code

Preferred Standard
Others To Order

OPERATION		PORT THREADS		SPOOL TYPE		CONTROL OPTION	
Stem	S	½" BSP	B	Closed on change over	C	Spring Offset	6
Knob	K	½" BSP With bypass orifice	C	Open on change over	O	No Spring	7
Cam	C	¾"-14 SAE	S				
		¾"-14 SAE With bypass orifice	T				

BG3D	<input type="checkbox"/>	<input type="checkbox"/>	<input type="checkbox"/>	<input type="checkbox"/>
-------------	--------------------------	--------------------------	--------------------------	--------------------------

Manufacturers of Hydraulic Components and Test Equipment for the Mobile, Industrial and Agricultural Industries



Your Webtec Products representative:



WEBTEC

WEBTEC PRODUCTS LIMITED

Nuffield Road, St. Ives, Cambridgeshire, PE27 3LZ, UK
Tel: +44(0)1480 397400 Fax: +44(0)1480 466555

E-mail: sales@webtec.co.uk
See us at: www.webtec.co.uk



Webtec Products Limited reserve the right to make improvements and changes to the specification without notice.