



**WEBTEC**

**WEBTEC PRODUCTS LIMITED**

**Hydraulic Cartridge  
Valves & Line Bodies  
(Formerly H&C/JFP/B&G)**



**Hydraulic Cartridge Valves & Line Bodies**

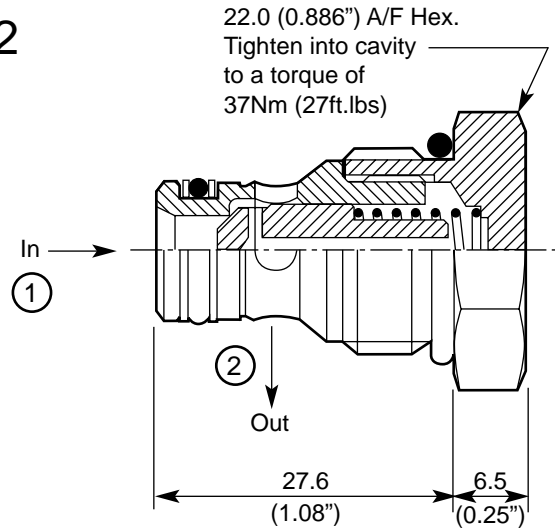
**[www.webtec.co.uk](http://www.webtec.co.uk)**

# Contents

<b>Description</b>		<b>Page number</b>
A1C Check valve	J8-2	1
A1D Check valve	J10-2	2
B1D Low pressure relief valve	J10-2	3
B2D Relief valve	J10-2	4
B3D Relief valve	J10-2	5
Direct acting relief valve		6
E1C Needle valve	J8-2	8
E1D Veedle valve	J10-2	9
L1D Rotary valve	J10-2	10
Line bodies	J8-2	11
Line bodies	J10-2	12

# A1C Check Valve Size 8

Fits Cavity J8-2



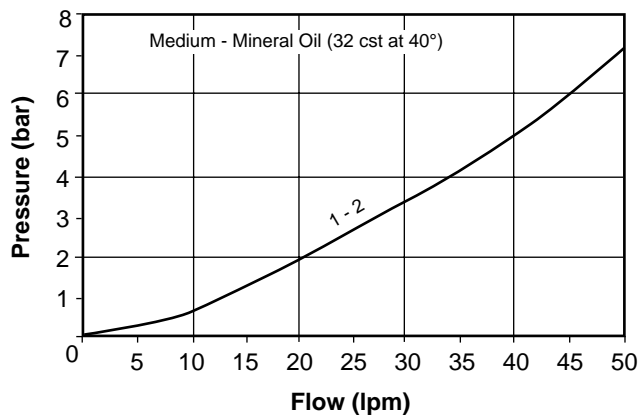
## Operation

In the free flow direction the poppet is guided back into the head providing a large flow path. In the reverse direction the poppet is guided back onto the seat and checks flow.

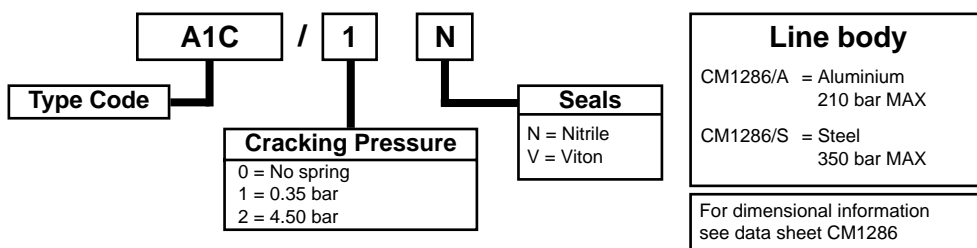
## Specification

Flow Rate: 40 lpm  
Maximum Pressure: 350 bar  
Max. Leak Rate: 6 drops/min max.  
Operating Temp: -30 to 80°C  
Fluid: General purpose mineral oil.

## Typical Performance

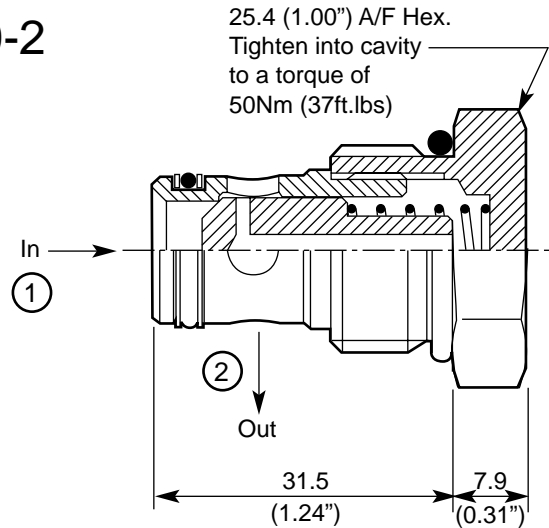
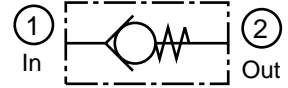


## Ordering code



# A1D Check Valve Size 10

Fits Cavity J10-2



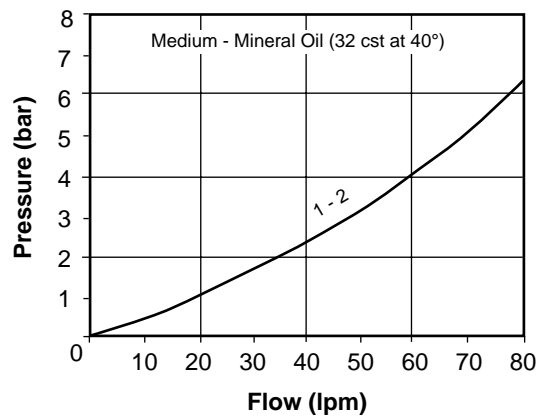
## Operation

In the free flow direction the poppet is guided back into the head providing a large flow path. In the reverse direction the poppet is guided back onto the seat and checks flow.

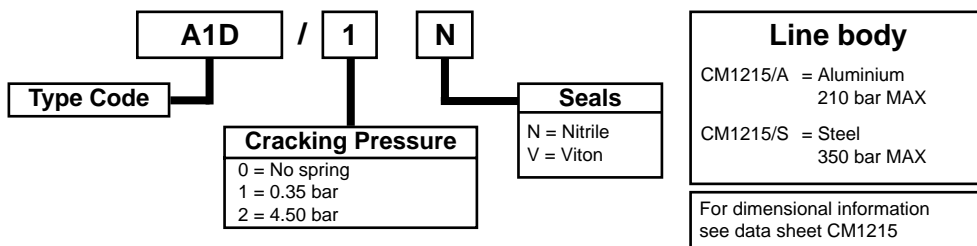
## Specification

Flow Rate: 75 lpm  
Maximum Pressure: 350 bar  
Max. Leak Rate: 6 drops/min max.  
Operating Temp: -30 to 80°C  
Fluid: General purpose mineral oil.

## Typical Performance

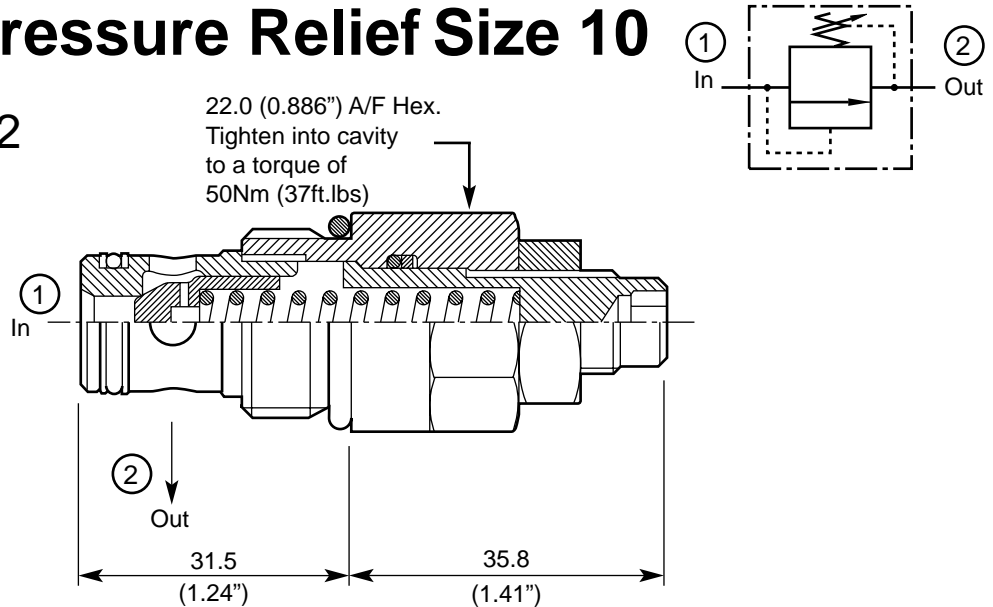


## Ordering code



# B1D Low Pressure Relief Size 10

Fits Cavity J10-2



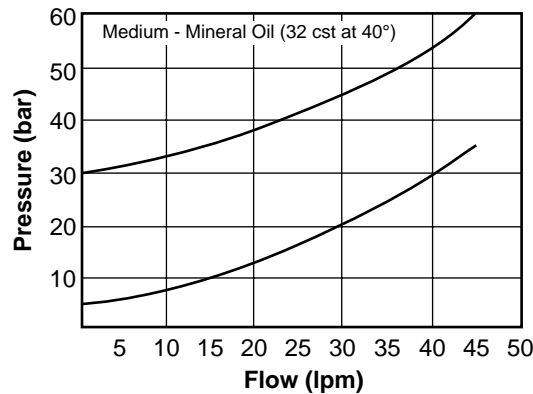
## Operation

This direct acting poppet style valve, relieves from 1-2 once the setting has been reached. In the reverse direction flow is checked.

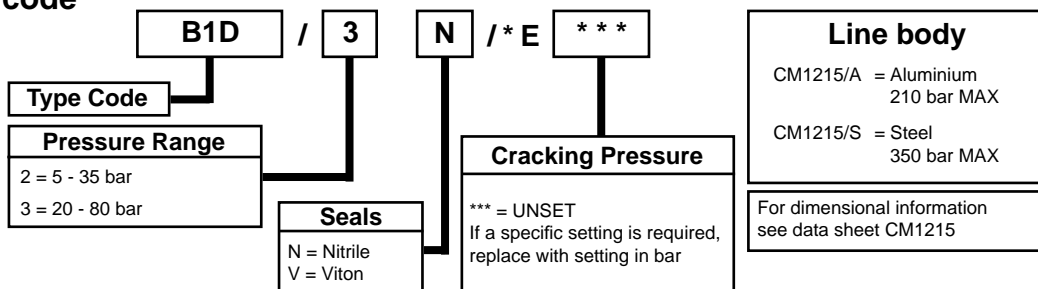
## Specification

Flow Rate: 40 lpm  
Maximum Pressure: 350 bar  
Max. Leak Rate: 6 drops.min  
Operating Temp. -30 to 80°C  
Fluid: General purpose mineral oil.

## Typical Performance

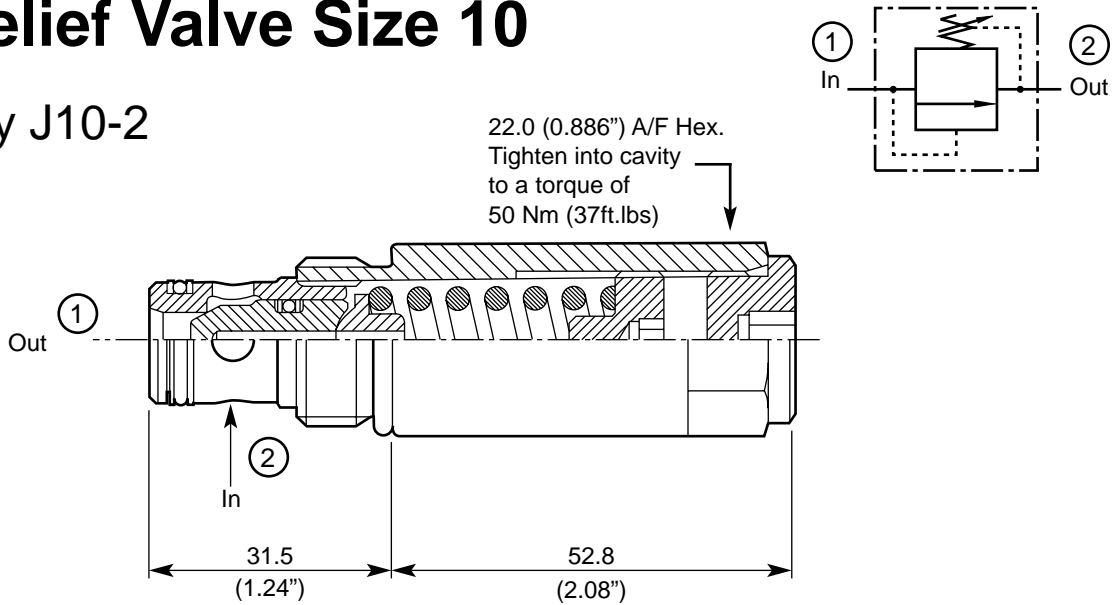


## Ordering code



# B2D Relief Valve Size 10

Fits Cavity J10-2



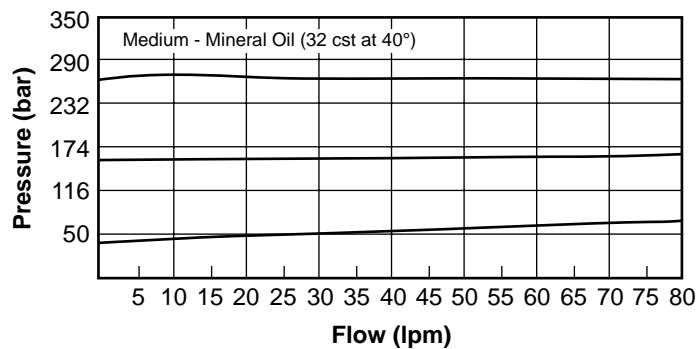
## Operation

This is a differential area style relief. Pressure acting over the differential area between the seat and poppet diameter, will open the poppet when the relief setting is reached. In the reverse direction all flow is checked.

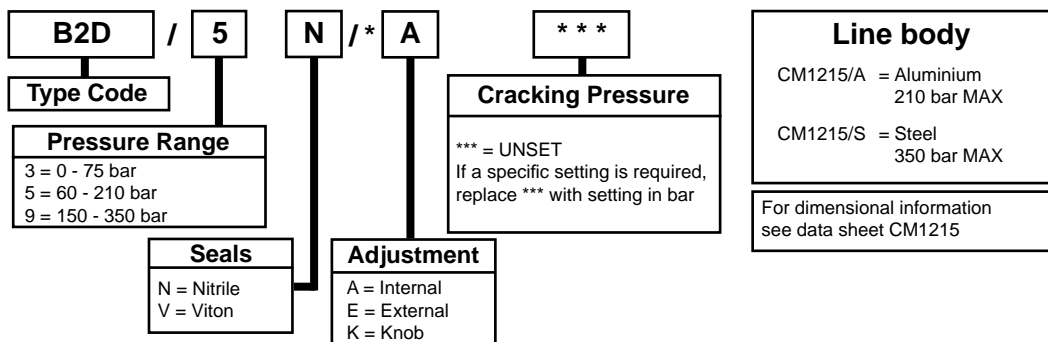
## Specification

Flow Rate: 80 lpm  
Maximum Pressure: 350 bar  
Max. Leak Rate: 10 drops.min @ 80% setting.  
Operating Temp. -30 to 80°C  
Fluid: General purpose mineral oil.

## Typical Performance

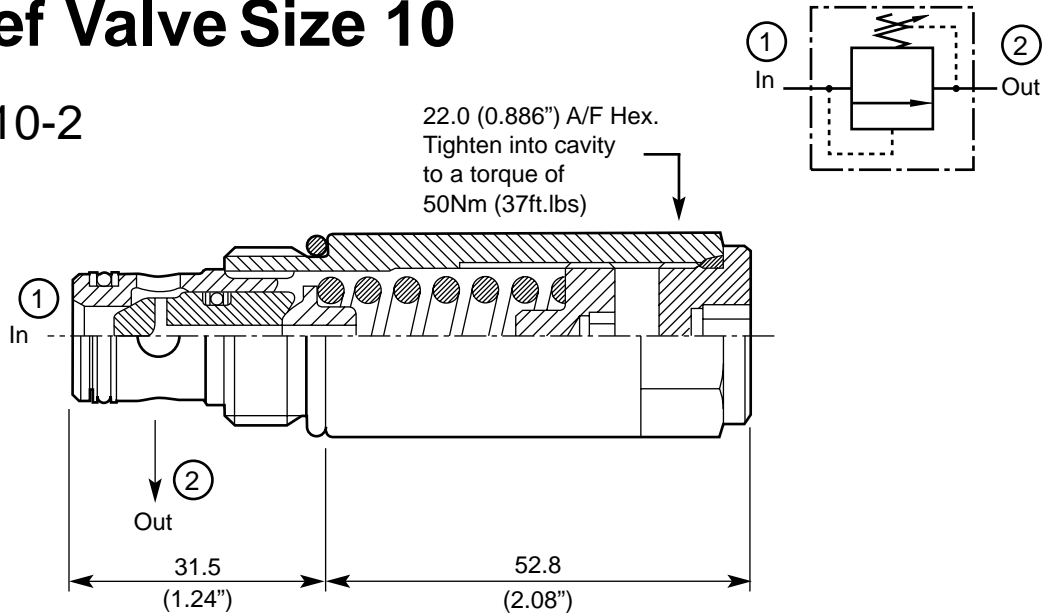


## Ordering code



# B3D Relief Valve Size 10

Fits Cavity J10-2



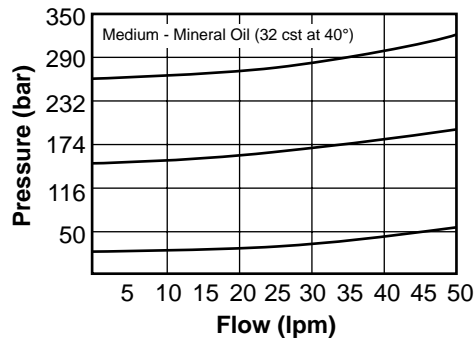
## Operation

This is a direct acting style relief, Pressure acting over the poppet area will open the poppet when the relief setting is reached. In the reverse direction all flow is checked.

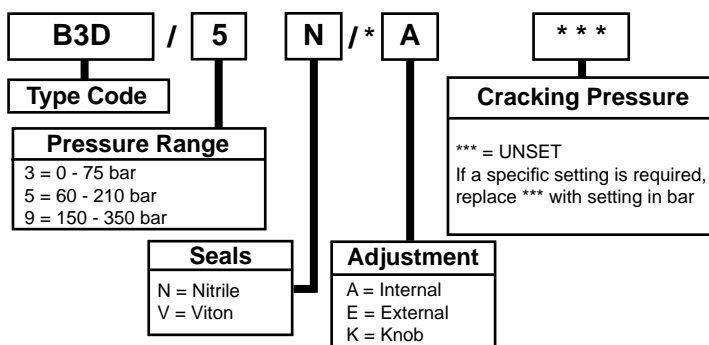
## Specification

Flow Rate: 40 lpm  
Maximum Pressure: 350 bar  
Max. Leak Rate: 10 drops.min @ 80% settings  
Operating Temp. -30 to 80°C  
Fluid: General purpose mineral oil.

## Typical Performance



## Ordering code



## Line body

CM1215/A = Aluminium  
210 bar MAX  
CM1215/S = Steel  
350 bar MAX

For dimensional information see data sheet CM1215.



# WEBTEC

WEBTEC PRODUCTS LIMITED

Nuffield Road, St. Ives, Cambs., PE27 3LZ, UK  
Tel: +44(0)1480 397400 Fax: +44(0)1480 466555  
E-mail: sales@webtec.co.uk

<http://www.webtec.co.uk>

## Direct acting relief valve

### Description

This family of Direct Acting Relief Valves, based on a common cartridge of a well proven design incorporating a sealed adjusting piston provides an economical, reliable and versatile means of relieving pressure in small to medium flow hydraulic systems.

All materials used in the construction of these valves are suitable for underground use.

### Warning

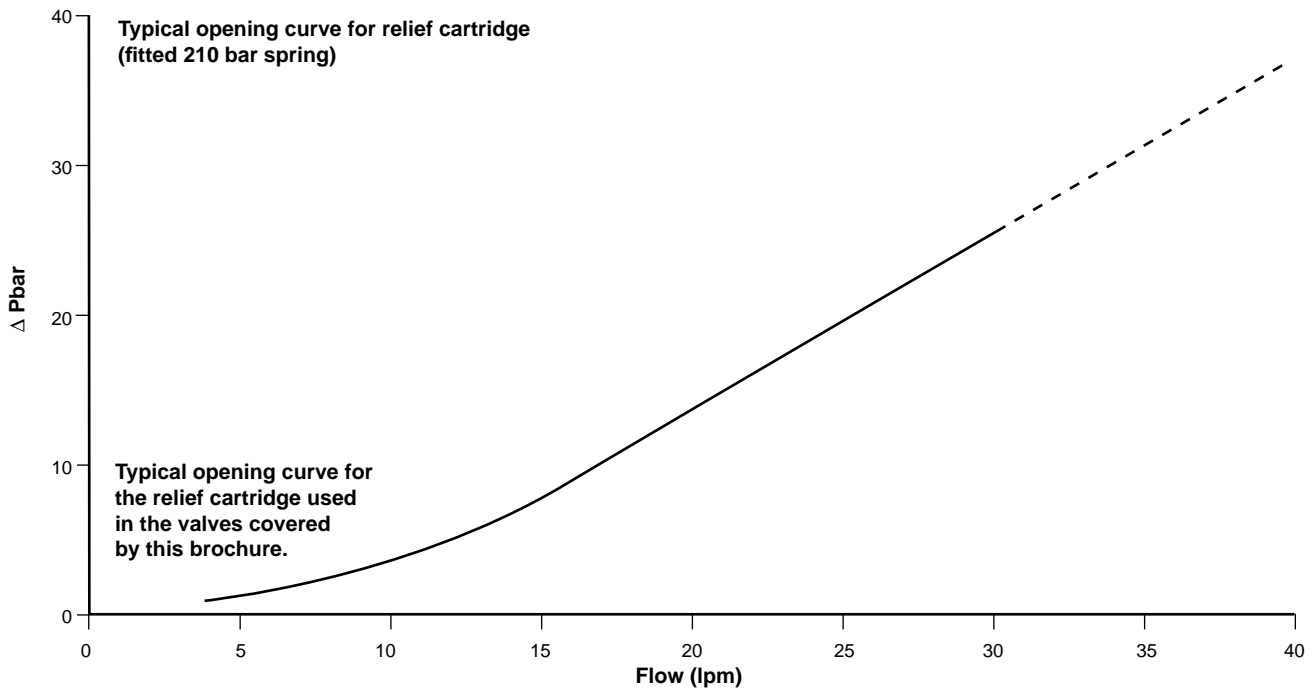
Slacken adjusting screw to relieve spring pressure before removing cartridge from body.



### Specification

Rated flow: 30 l/min  
Maximum operating pressure: 345 bar  
Oil viscosity range:  
12.5 c/st min - 200 c/st max  
Operating temperature: -20°C min to 60°C max  
Recommended filtration: 25 micron or better  
Seals medium Nitrile (contact our technical sales for alternatives).

### Pressure Drop Curve



### Ordering code

2 Port Screwed Body	1
Modular mounting	2
3 Port Screwed Body	5
Subplate mounting	7

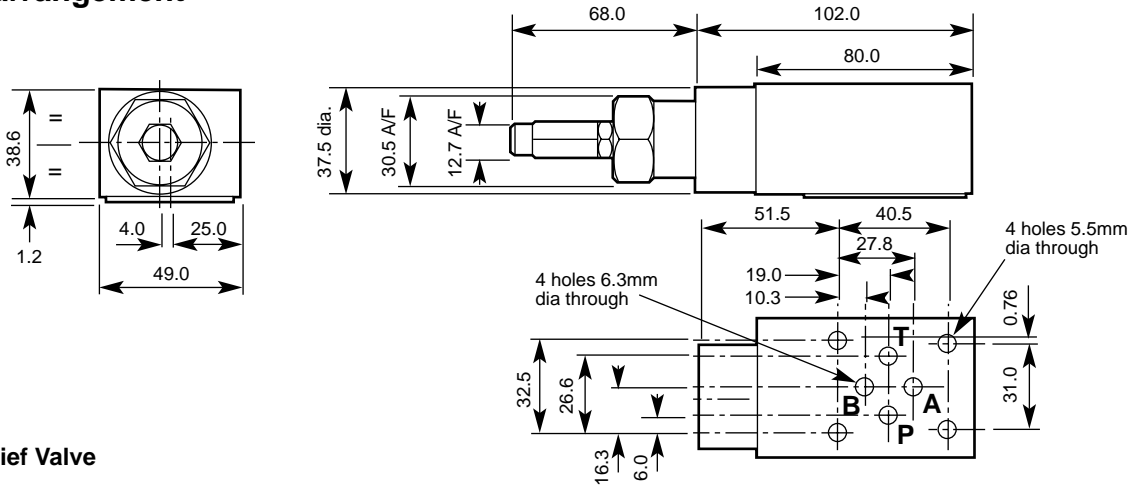
BGRD - 03

10 to 135 bar	2
50 to 200 bar	3
100 to 350 bar	5

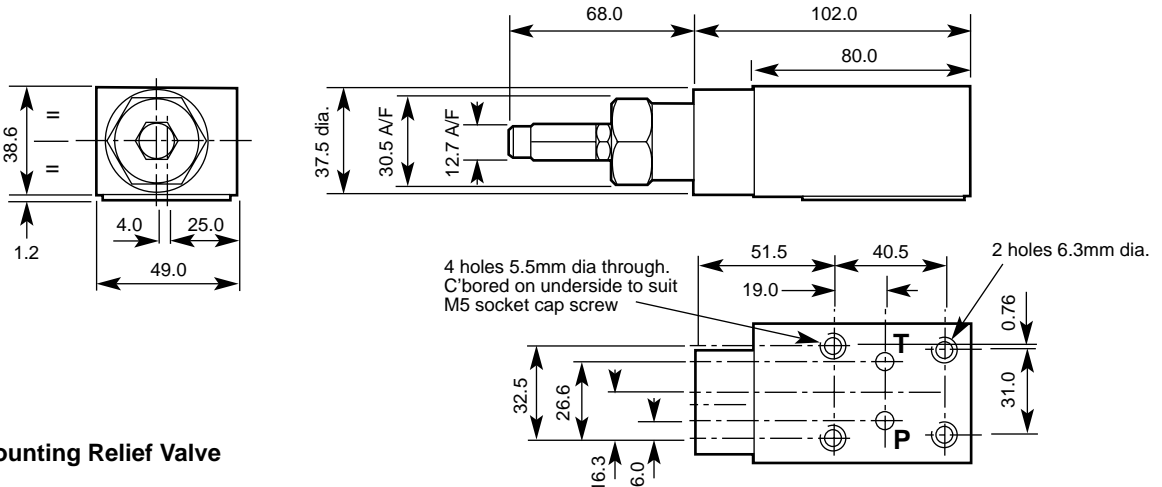
—  N



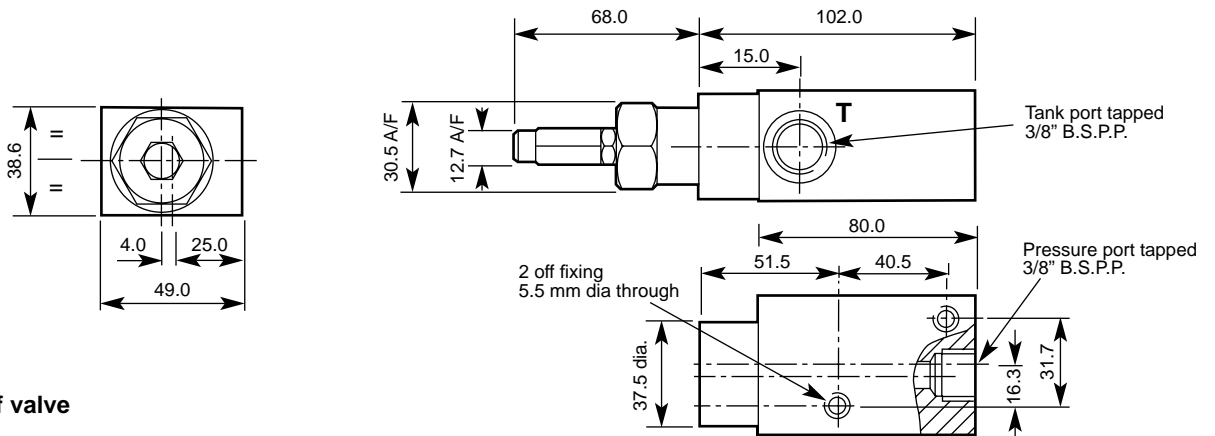
## General arrangement



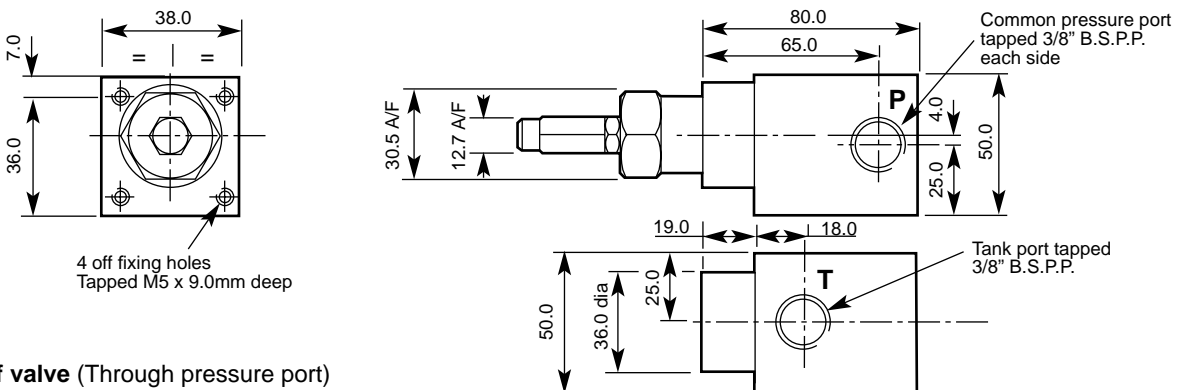
**Cetop 03  
Modular Relief Valve**



**Cetop 03  
Subplate Mounting Relief Valve**



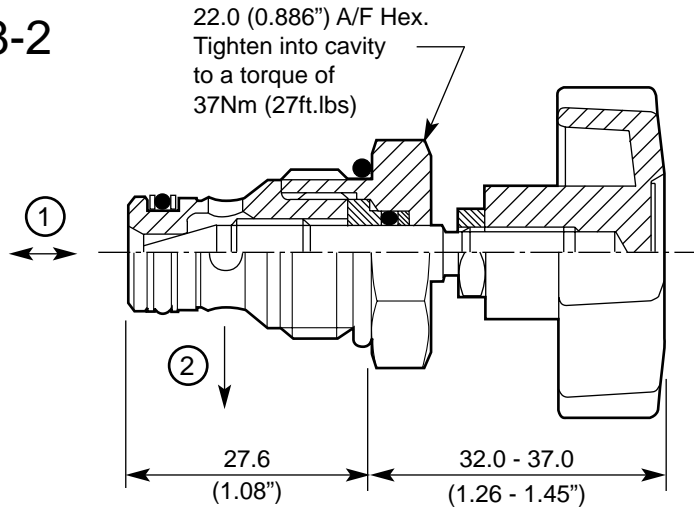
**3/8" BSP  
2 port relief valve**



**3/8" BSP  
3 port relief valve (Through pressure port)**

# E1C Needle Valve Size 8

Fits Cavity J8-2



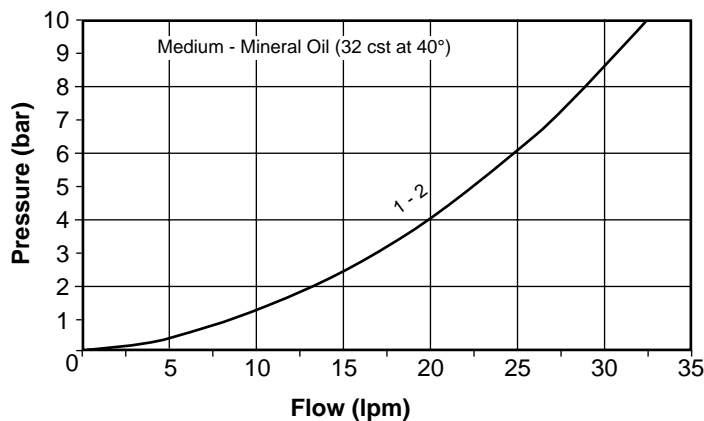
## Operation

Opening the restrictor allows a non pressure compensated flow in both directions. With the needle fully closed, no flow is allowed in either direction.

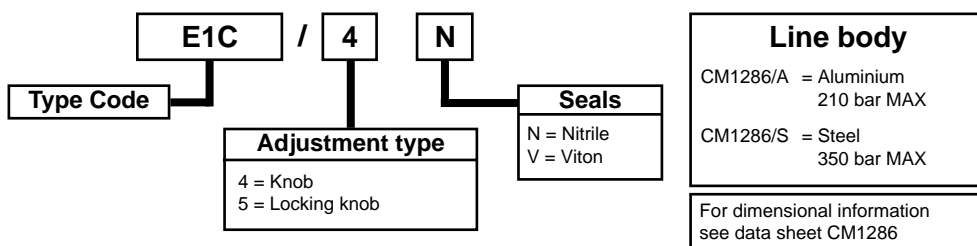
## Specification

Flow Rate: 30 lpm  
Maximum Pressure: 350 bar  
Max. Leak Rate: 6 drops/min max.  
Operating Temp: -30 to 80°C  
Fluid: General purpose mineral oil.

## Typical Performance

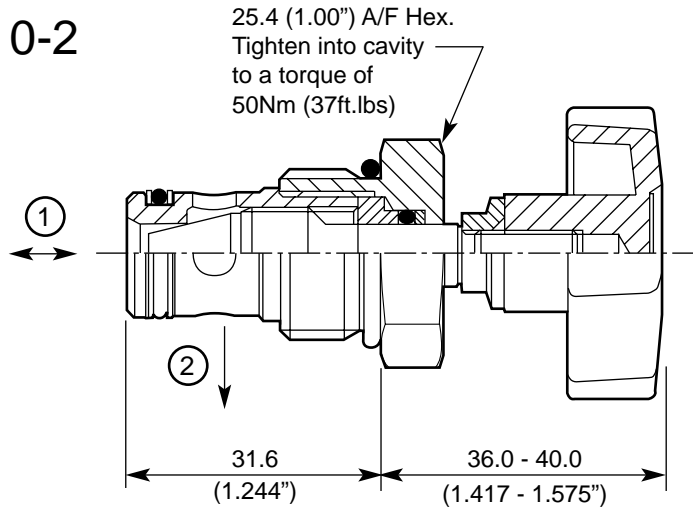
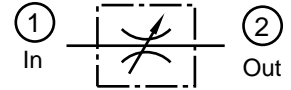


## Ordering code



# E1D Needle Valve Size 10

Fits Cavity J10-2



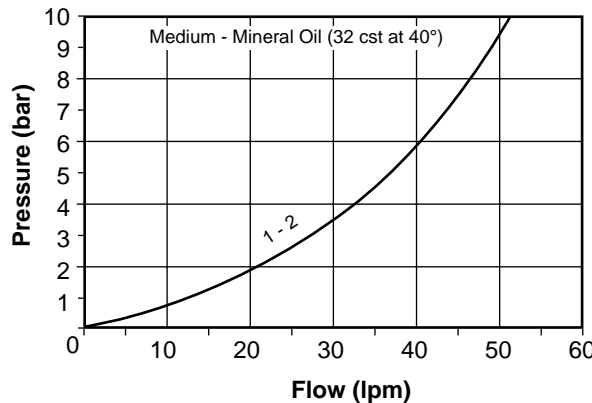
## Operation

Opening the restrictor allows a non pressure compensated flow in both directions. With the needle fully closed, no flow is allowed in either direction.

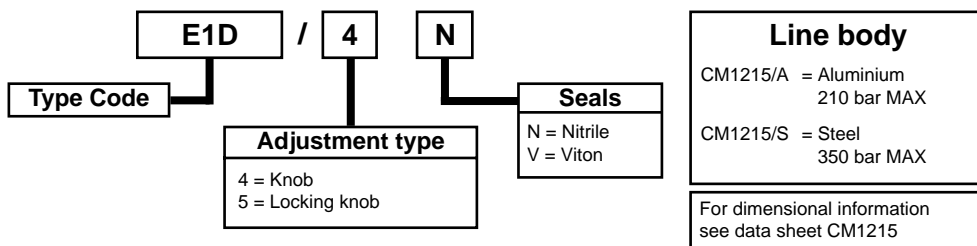
## Specification

Flow Rate: 50 lpm  
Maximum Pressure: 350 bar  
Max. Leak Rate: 6 drops/min max.  
Operating Temp: -30 to 80°C  
Fluid: General purpose mineral oil.

## Typical Performance

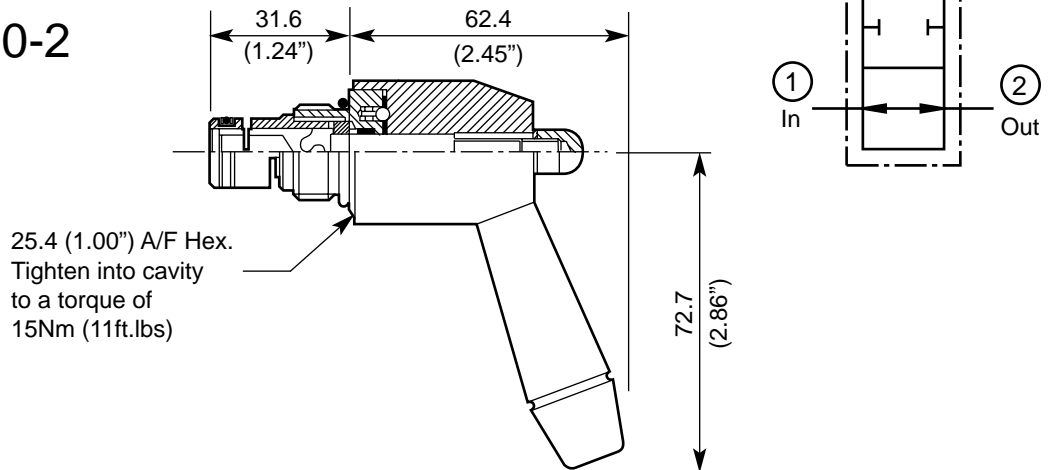


## Ordering code



# L1D Rotary Valve Size 10

Fits Cavity J10-2



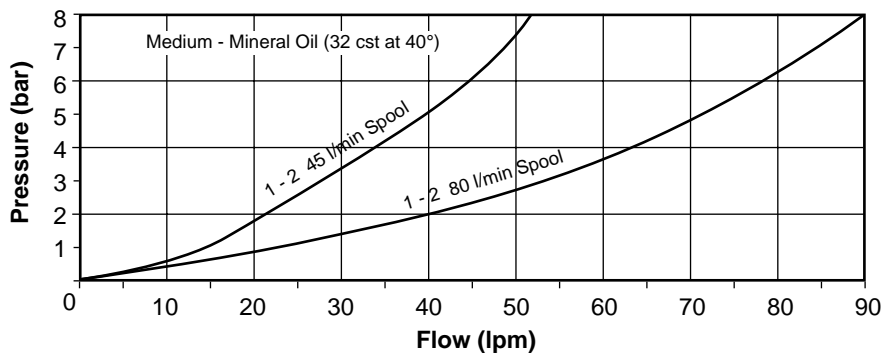
## Operation

Operating the spool allows adjustable non pressure compensated flow in both directions. With the spool fully closed, no flow is allowed in either direction.

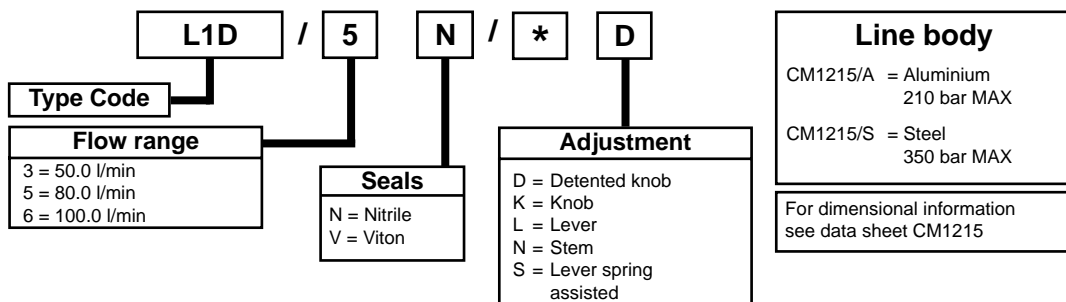
## Specification

Flow Rate: Up to 80 lpm  
Maximum Pressure: 350 bar  
Max. Leak Rate: 80 ml/min max.  
Operating Temp: -30 to 80°C  
Fluid: General purpose mineral oil.

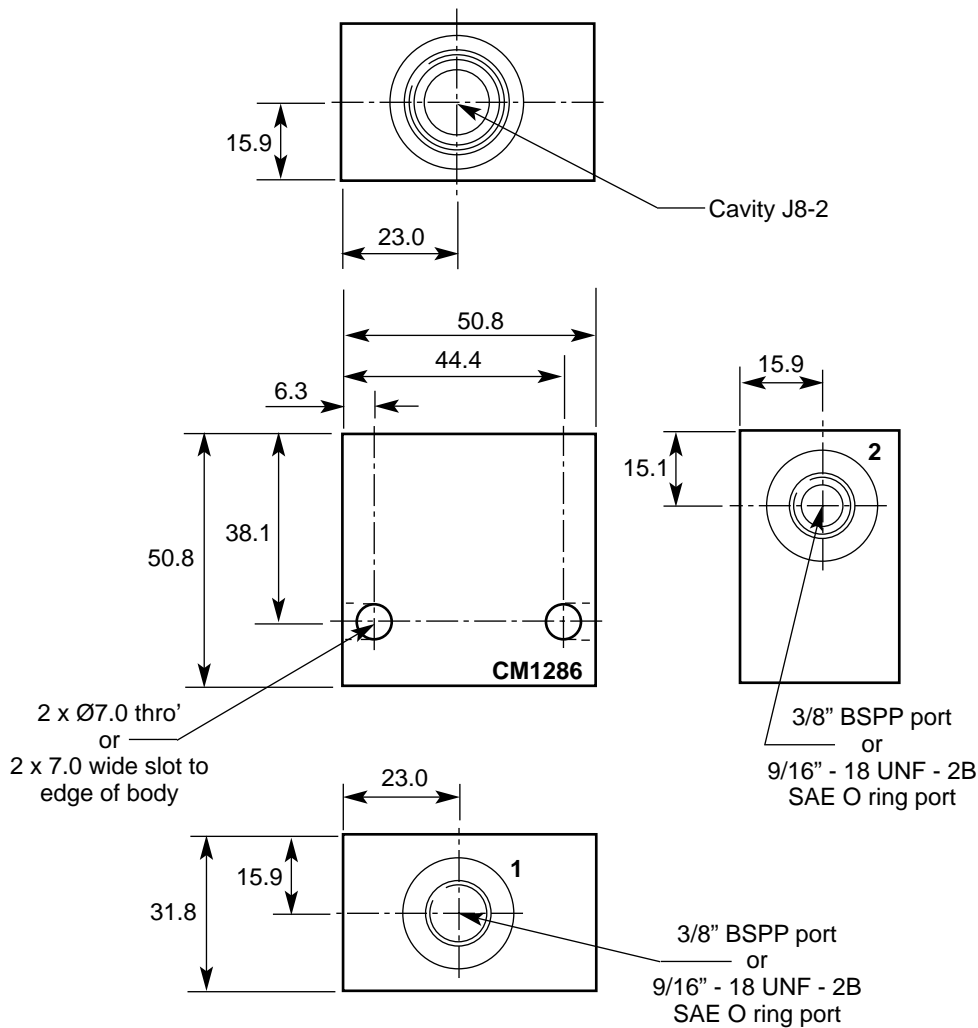
## Typical Performance



## Ordering code

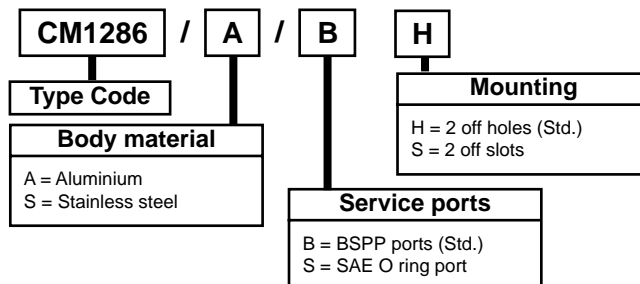


# CM1286 Line Body Size J8-2



## Ordering code

**Note**  
For applications where pressure may be greater than 210 bar, a steel body must be specified.





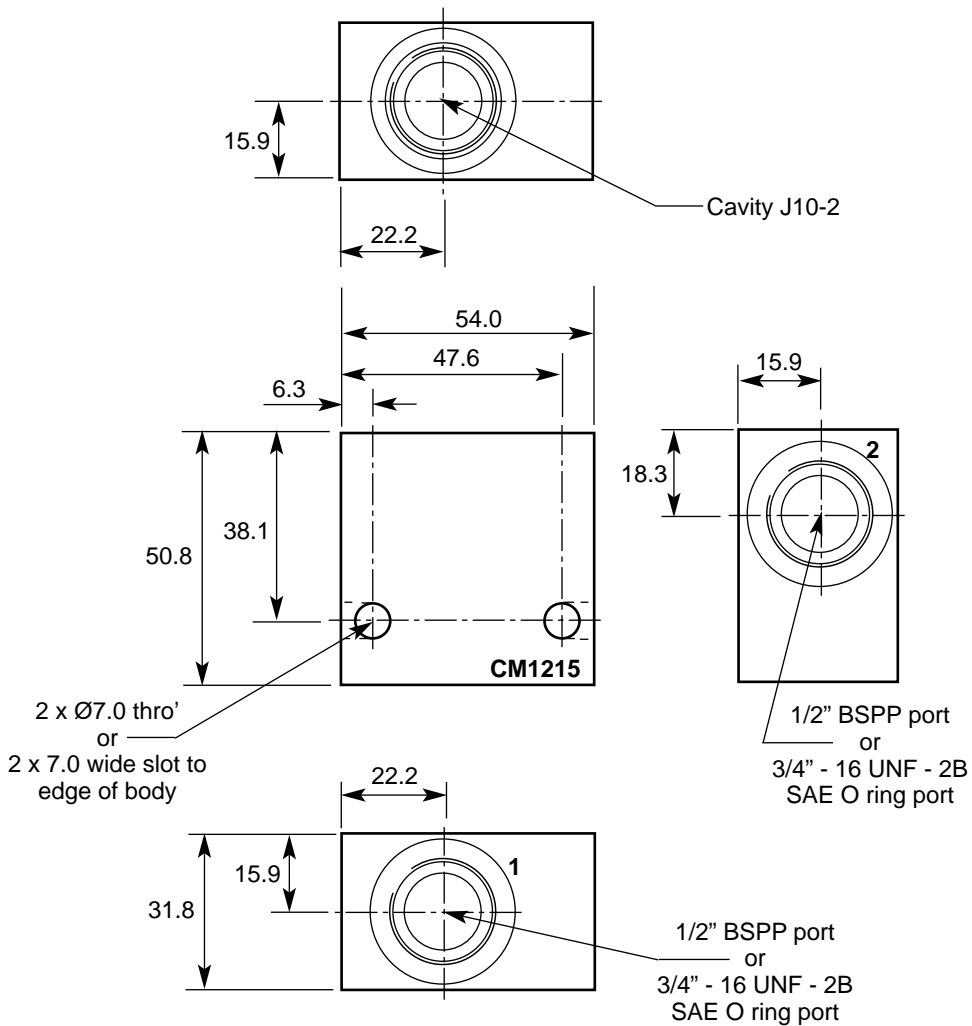
**WEBTEC**

WEBTEC PRODUCTS LIMITED

Nuffield Road, St. Ives, Cambs., PE27 3LZ, UK  
Tel: +44(0)1480 397400 Fax: +44(0)1480 466555  
E-mail: sales@webtec.co.uk

<http://www.webtec.co.uk>

# CM1215 Line Body Size J10-2



## Ordering code

<b>Note</b>
For applications where pressure may be greater than 210 bar, a steel body must be specified.

