

6A Series

Portable Filtration Systems



Global Filtration Technology

Portable Filtration Systems

6A Series

APPLICATIONS

- Paper Mills
- Injection and Blow Moulding Equipment
- Shipboard Systems
- Industrial & Mobile Equipment

The Parker Filtration Model 6A Portable Filtration System.

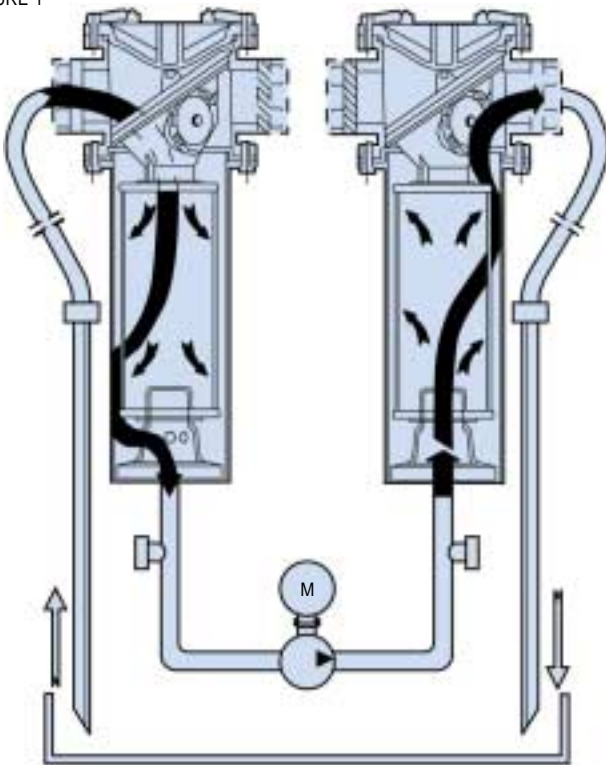
Parkers portable filtration units are designed for on-site preventative maintenance of fluid systems.

An internal pump draws fluid through a primary clean-up filter and through a high quality polishing filter to remove particulate contamination down to 4 m (c) absolute.



FEATURES

FIGURE 1



FLUID FLOW PATH THROUGH 6A PORTABLE FILTRATION SYSTEM WHEN VIEWED FROM FRONT, ELECTRICAL SWITCH TO REAR

The 6A Portable Filtration System is ideal for:

- Off-line contamination control of fluid systems
- Replenishing installations with filtered fluid
- Emptying waste fluid quickly

The 6A Filter system is designed for on-site preventive maintenance of fluid systems. Two high capacity filters are used, with fluid passing through a primary clean-up filter and then through the final filter giving effective contamination control.

- Two high capacity filters, complete with indicator
- Filters incorporate standard Parker media.
- 28 L/Min pressure balanced gear pump
- 0.75kW capacitor-start electric motor
- Robust all welded steel trolley, complete with drip tray and rubber tyred wheels
- Complete with stowable hoses

Quality

Parker Filtration is accredited to the ISO9002 quality standard.



Certificate No. 802127



This equipment conforms with directive 89/392/EEC.

The following standards apply EN982, EN982-1, EN982-2.

SPECIFICATION

Pump Drive Options:

0.75kW Electric motor 240v A.C. Single phase 50HZ
 0.75kW Electric motor 110V A.C. Single phase 50HZ

Pump:

28 l/min pressure balanced gear pump

Filters:

Moduflow CF2.1 & RF2.1 filters, refer to brochure
 2350-GB

Electrical Details:

On/Off switch to IP65. 2 metre cable with appropriate
 moulded plug

Weight:

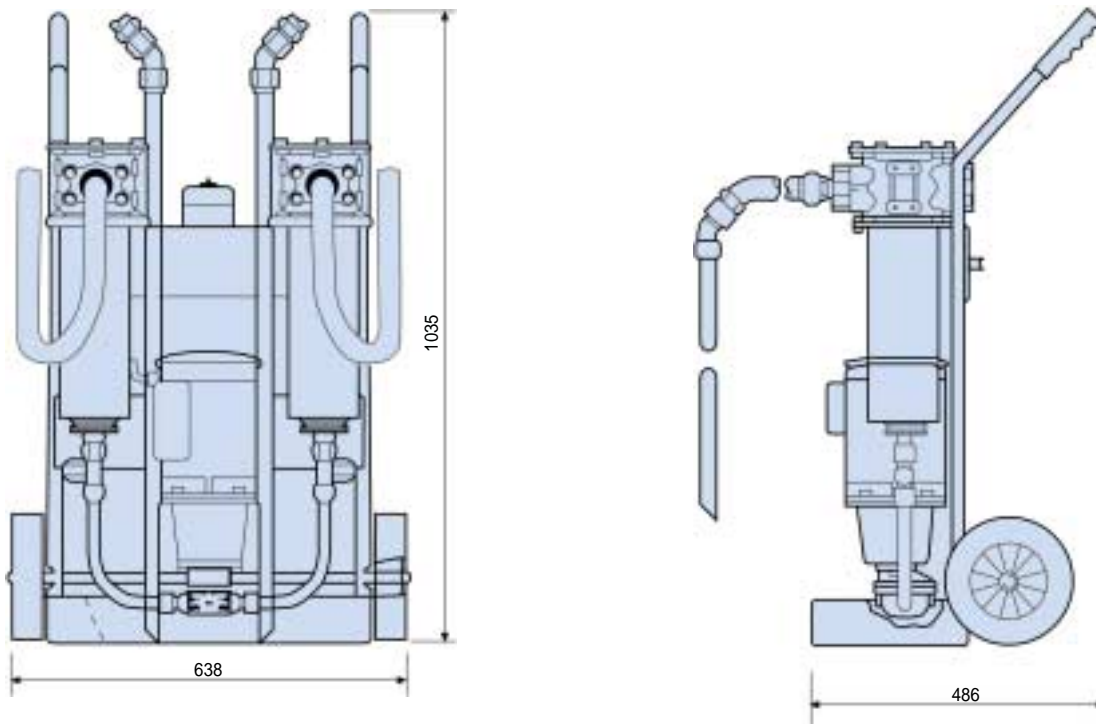
56 kg (dry)

Fluid Compatibility:

Suitable for use with mineral oils. For other fluids,
 please consult Parker Filtration. Maximum fluid viscosity
 100 cSt

Quality:

Parker Filtration is accredited to the ISO9002 quality
 standard



Filtering Performance								
Reservoir Capacity	Approximate Clean-Up Time (Hours)				Desired Cleanliness Class (ISO 4406)			
	hrs	class	hrs	class	hrs	class	hrs	class
200	1/2	18/15	1	15/12	2	14/11	–	–
375	1	16/13	2	15/12	4	14/11	–	–
750	2	17/14	3	16/13	5	15/12	6	14/11
1150	3	17/14	5	16/13	6	15/12	9	14/11

Based on the following conditions:

- Initial contamination:
 500,000 Particles /100 ML, 10 micron or greater
- 40W inlet and 20Q outlet filters.
- Ingression rate equal to 100,000 Particles/min, 10 Micron or greater

Portable Filtration Systems

6A Series

PART NUMBER MATRIX

Table 1

F3

Table 2

6A

Table 3

40W

Table 4

10Q

Table 5

I

Table 6

2

Table 7

3

Table 8

UK

Table 9

-

Table 1

Seals	
Description	SYMBOL
Nitrile (Standard)	O
Fluoroelastomer	F3

Table 2

Model Number	
Symbol	6A

Table 3

Element Media Inlet Filter	
Description	CODE
Reusable Wire Mesh 74 micron absolute	74W
Reusable Wire Mesh 40 micron absolute	40W
Reusable Wire Mesh 25 micron absolute	25W

Table 4

Element Media Outlet Filter Degree of Filtration						
Typical filtration ratio β (ISO 16889) / particle size $\mu\text{m(c)}$						CODE
2	10	75	100	200	1000	
N/A	N/A	74	N/A	N/A	N/A	74W
N/A	N/A	40	N/A	N/A	N/A	40W
N/A	N/A	25	N/A	N/A	N/A	25W
N/A	N/A	N/A	N/A	N/A	4.5	02Q
N/A	N/A	4.5	5	6	7	05Q
N/A	6	8.5	9	10	12	10Q
6	11	17	18	20	22	20Q
Par<->Gel Water Removal Media						WR

Table 5

Cable Reel	
Description	CODE
Standard 2 metre cable	I

Table 6

Motor Options	
Description	CODE
0.75kW 240V Motor	1
0.75kW 110V Motor	2

Table 7

Options	
Description	CODE
None	1
Magnets	3

Table 8

Language Option	
<i>Instruction leaflet language & appropriate moulded plug</i>	
Description	CODE
English	UK
German	D
French	F
Danish	DK
Finnish	SF
Dutch	NL
Swedish	S
Italian	I
Spanish	E

Table 9

Design Number
Assigned to the filter assembly by Parker Filtration

Spare Elements (with Nitrile seals) for 6A portable filtration system		
Inlet Filter (RF2-1)	Media	Outlet Filter (CF2-1)
G00967	74W	G00967
G00968	40W	G00968
G00969	25W	G00969
G02525Q	20Q	G02525Q
N/A	10Q	G00973Q
N/A	05Q	932687Q
N/A	02Q	G04687Q
N/A	WR	927584

Seal Kits	
Description	CODE
Buna	S01266
Fluoroelastomer	S01053

Indicators	
Description	CODE
No Indicator Blanking Kit	S01224
1 Bar Indicator	S01053