

Indicators Series

FPC

Max 420 bar



Global Filtration Technology

Filter Indicators

FPC

TYPICAL APPLICATIONS

- Industrial Equipment
- Mobile Equipment
- Marine/Offshore Applications
- Competitor Housing

The FPC range of filter condition indicators, are designed for use on a wide range of Parker filters and suitable for competitive interchange (consult Parker Filtration for details).

Ideal for giving accurate visual, electronic or electrical feedback of filter element condition, in order to facilitate effective maintenance and ensuring hydraulic systems, Marine/Mobile or Industrial are protected from particulate contamination.



SPECIFICATION

Maximum Operating Pressure:

420 bar (250 bar for aluminium)

Maximum Differential Pressure:

210 bar

Working Temperature Range:

-20°C to +85°C

Material of Housing :

Brass, aluminium or stainless steel

Seals:

NBR (Nitrile) or FPM (Fluoroelastomer)

The differential pressure values of standard indicator models:

- 1.0 bar ± 0.1
- 1.2 bar ± 0.1
- 1.5 bar ± 0.2
- 2.5 bar ± 0.2
- 5.0 bar ± 0.4
- 7.0 bar ± 0.5
- 8.5 bar ± 0.5

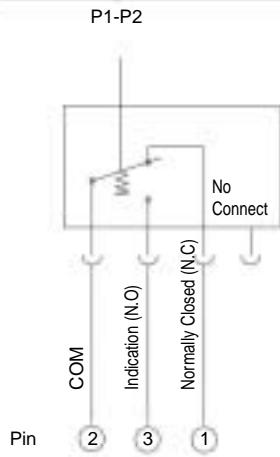
(Indicators for other differential pressure values are optional)

FPC Δp — Indicators are typically used with the following filters:		
On-line low and medium pressure filters: 1087, 1088, 1089, 1093, 1097, 1110 and 1297. These filter types require FPC-adaptor for connecting indicator to the filter.	F6	1.0 bar
Marine filters: 2020, 2035, 2040, 2045, 2060, 2065, 2070, 2110 and 2520. Types: 2035, 2040, 2045 and 2060 require FPC-Block for connecting indicator to the filter.	F6	1.5 bar
Medium pressure filters series: 1145 and 1300. High pressure filters series: 5000, 7100, 7200 and 7000.	F6	2.5 bar
High pressure filters without bypass valve.(7000 and 7100 series)	F6	7.0 bar
Medium and low pressure filter series; Note for PD Range only 2.5 bar indicators are available CN, PD, 40RF, 50RF, IL8, 12M, 16P, 26P, 36P	W3	1.2 and 2.5 bar
High pressure filters 8 series, FDA, FDB	W6	2.5 and 5.0 bar
FPC Pressure Indicators are typically used with the following filters: G1/8		
On-line return filter series: 1000 and 1050. Tanktop return filter series: 1014, 1025, 1200, 1070, 1090, 1095 and 1110.	1.0 bar	1.0 bar

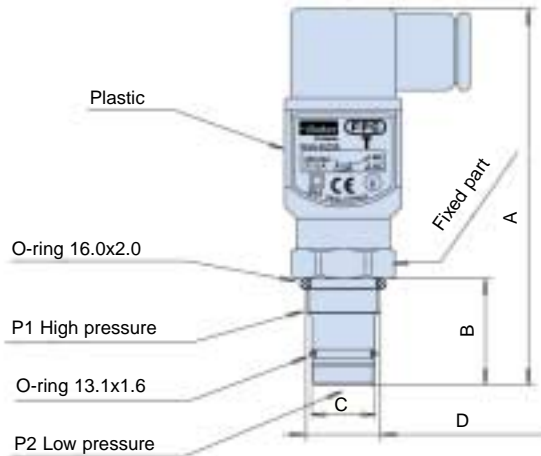
DIFFERENTIAL PRESSURE INDICATORS

FPC T ELECTRICAL

Contact Configuration F6 MODEL



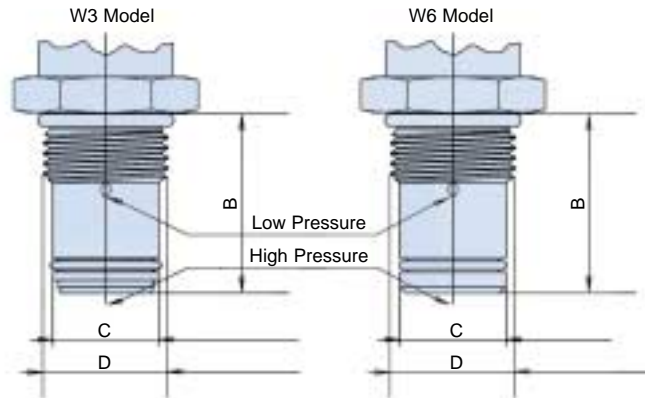
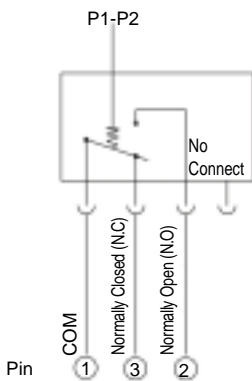
F6 Model
Rotating part 360°



	F6	W3	W6
A	98	105	105
B	27.5	32	32
C	∅16.2 ±0.05	∅19.78 ± 0.06	∅18.83 ± 0.06
D	3/4*-16 UNF-2A	7/8-14 UNF-2A	7/8-14 UNF-2A

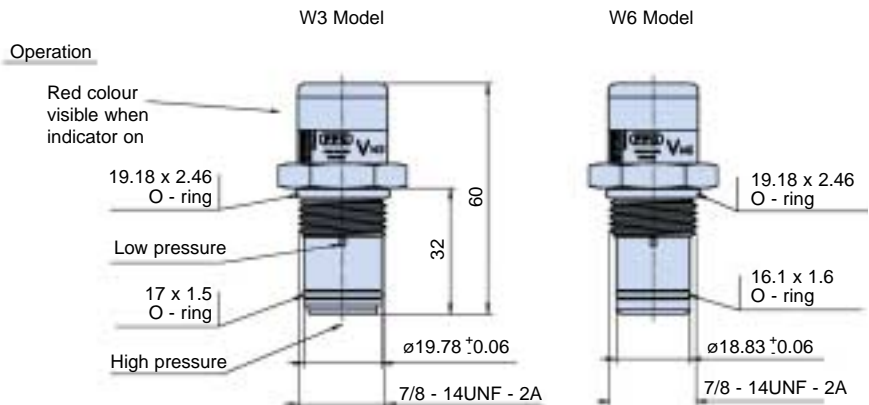
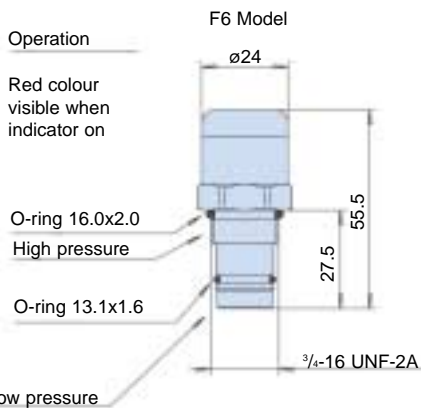
Electrical connector DIN 43650
 Enclosure class IP65
 Overvoltage category II (EN61010-1)

Contact Configuration W3 & W6



Rated voltage	Non-inductive load (A)				Inductive load (A)				Inrush current (A)	
	Resistive load		Lamp load		Inductive load		Motor load			
	N.C.	N.O.	N.C.	N.O.	N.C.	N.O.	N.C.	N.O.	N.C.	N.O.
125VAC	5	1.5	0.7		3	2.5	1.3			
250VAC	3	1.0	0.5		2	1.5	0.8			
8VDC	5		2		5	4	3	20 max.	10 max.	
125VDC	0.4		0.05		0.4	0.4	0.05			
250VDC	0.2		0.03		0.2	0.2	0.03			

FPC V & R VISUAL



FPC R Visual

- Dimensions as FPCV (F6 Model)
- Red button pops up (Manual Reset)

Note: W3 & W6 (FPCV ONLY) Auto Reset

ELECTRONIC DIFFERENTIAL PRESSURE INDICATORS

FPC F ELECTRONIC

Contact Configuration

NPN

PNP

F6 Model

Rotating part 360°

	F6	W3	W6
A	98	105	105
B	27.5	32	32
C	Ø16.2 ±0.05	Ø19.78 ± 0.06	Ø18.83 ± 0.06
D	3/4*-16 UNF-2A	7/8-14 UNF-2A	7/8-14 UNF-2A

Operation

- Below temp +20°C only green LED is active regardless of the differential pressure level.
- Operation above temperature +20°C:

Ind. press.	LED status	Output
2/4	⊗ ⊗	—
3/4	⊗ ⊗ ⊗	2 active
4/4	⊗ ⊗ ⊗ ⊗	1 active

(Indicators for other diff. pressure values are optional)

Enclosure class	IP65
Electrical connector	DIN 43650
Input supply voltage	+10 to 36 VDC
Indication output	300 mA/36 VDC

Output type: (N.O) Normally Open NPN or PNP

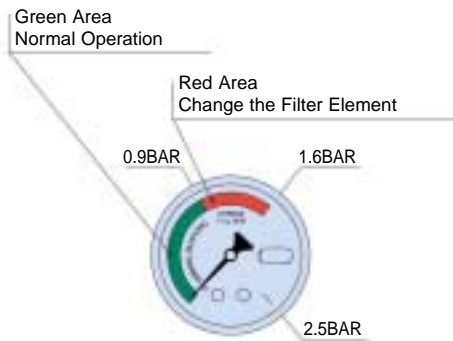
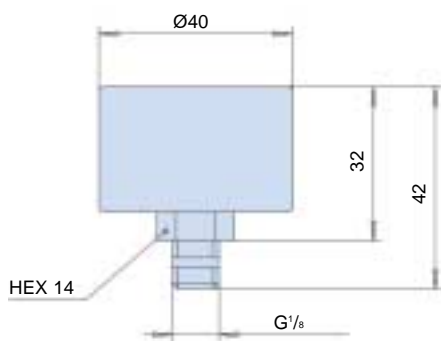
Note: Do not connect output terminals 1 or 2 directly (without load) to power supply terminals, because this will damage the equipment.

W3 Model

W6 Model

PRESSURE INDICATORS

FPC M VISUAL (GAUGE)



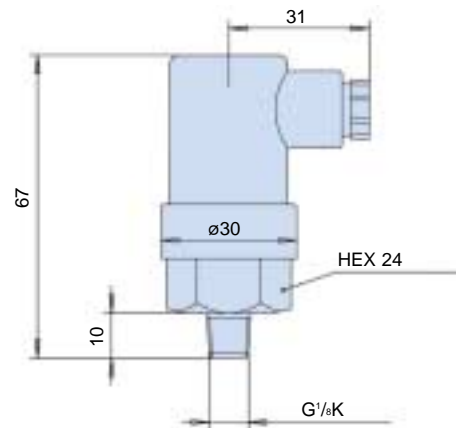
FPC H ELECTRICAL (48V AC/DC)

Contact configuration



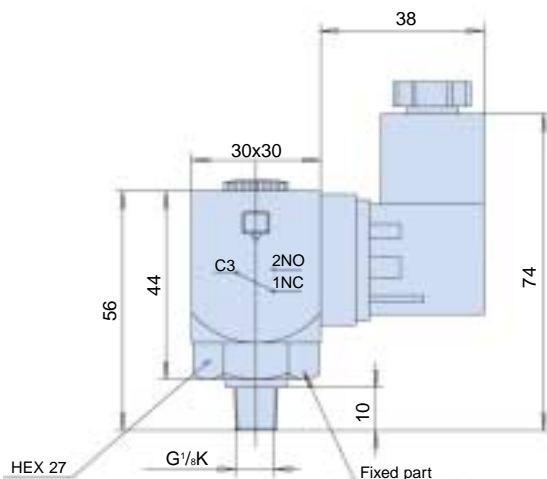
TECHNICAL SPECIFICATIONS

Max. operating pressure	80 bar
Working temperature range	-5°C...+80°C (120°C)
Material of housing	Brass
Thread	G 1/8K
Indicating pressure	1.0 bar +/-0.15 (Indicators for other diff. pressure values are optional)
Enclosure class	IP65
Max. operating voltage	48v AC/DC
Current	0.5A (resistive) 0.2A (inductive)



TYPE	ORDER CODE
Normally open (NO)	UT11018
Normally closed (NC)	UT11019

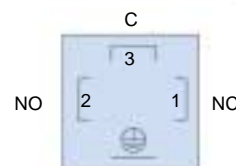
FPC G ELECTRICAL (250 VAC)



TECHNICAL SPECIFICATIONS

Max. operating pressure	150 bar
Max. fluid temperature	100°C
Material of housing	Passivated steel
Thread	G 1/8K
Indicating pressure	1.0 bar +/-0.15 (Indicators for other diff. pressure values are optional)
Enclosure class	IP65
Max. operating voltage	250 VAC
Current	2.0A (resistive) 0.5A (inductive)

Contact configuration



Filter Indicators

FPC F/U/T/V/R/G/H/M

ORDERING INFORMATION

FPC Table 1 Table 2 • Table 3 Table 4 - Table 5 - Table 6

Table 1

Indicator Type	
Indicator Options	CODE
Electronic Δp indicator	F
Electrical Δp indicator	T
Visual Δp indicator (auto reset)	V
Visual Δp indicator (manual reset)	R
Pressure switch 250V	G
Pressure switch 48V	H
Pressure gauge	M

Table 2

Indicating Pressure	
Indicating Pressure Options	CODE
1.0 bar	10
1.2 bar	12
1.5 bar	15
2.5 bar	25
5.0 bar	50
7.0 bar	70
8.5 bar	85

Table 3

Seal Type	
Seal Material Options	CODE
Nitrile	B
Fluoroelastomer	V
G, H, M always without seal	X

Other indicating pressures available.

Table 4

Connection Material	
Indicator Connection Material Options	CODE
Brass	M
Aluminium	A
Stainless steel	R

NOTE: Standard materials F6 brass, W3 Aluminium, W6 Brass. FPC.M and H always Brass, FPC. G always steel

Table 5

Model	
Thread Configuration	CODE
$\frac{3}{8}$ "-16UNF-2B used in Parker Finn-Filter housing	F6
$\frac{7}{8}$ "-14 UNF-2A used in Parker medium pressure housing	W3
$\frac{7}{8}$ "-14 UNF-2A used in Parker high pressure housing	W6

Table 6

Operation	
FPC H Indicator Only	CODE
Normally open	NO
Normally closed	NC
FPC F Indicator Only	
Output type NPN	CODE
Output type NPN	NPN
Output type PNP	PNP